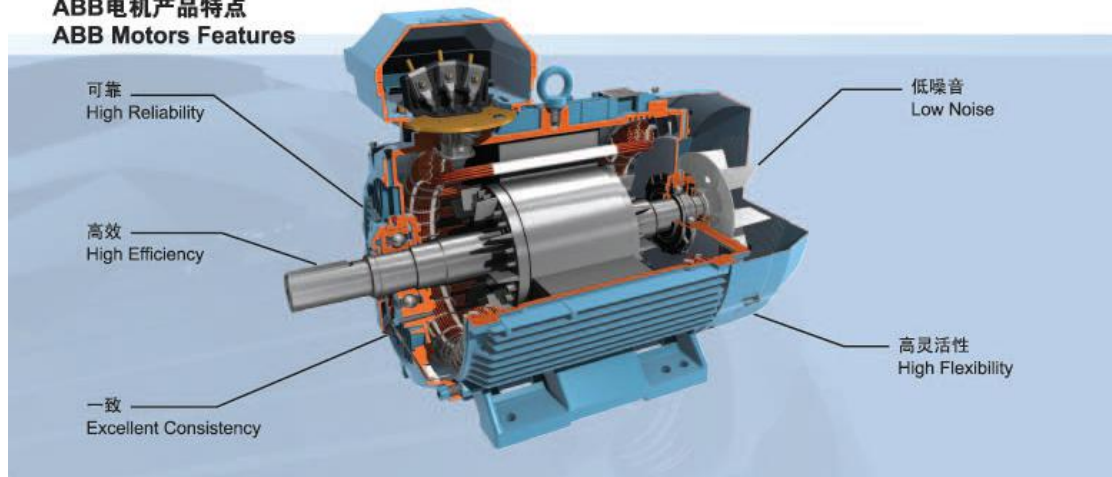


ABB电机产品特点
ABB Motors Features



进口轴承型号、出线孔尺寸： Bearings and Terminal Boxes

型号 Type	极数 Poles	轴承型号 Bearing type		接线盒出线孔尺寸 Cable entry (mm)
		轴伸端 D-end	非轴伸端 N-end	
71M	2, 4, 6	6202 C3	6202 C3	M24 X 1.5
80M	2, 4, 6, 8	6204 C3	6204 C3	M24 X 1.5
90S	2, 4, 6, 8	6205 C3	6205 C3	M24 X 1.5
90L	2, 4, 6	6205 C3	6205 C3	M24 X 1.5
100L	2, 4, 6, 8	6206 C3	6206 C3	M30 X 2
112M	2, 4, 6, 8	6207 C3	6207 C3	M30 X 2
132S	2, 4, 6, 8	6208 C3	6208 C3	M30 X 2
132M	4, 6, 8	6208 C3	6208 C3	M30 X 2
160M	2, 4, 6, 8	6209 C3	6209 C3	M36 X 2
160L	2, 4, 6, 8	6209 C3	6209 C3	M36 X 2
180M	2, 4	6310 C3	6210 C3	M36 X 2
180L	4, 6, 8	6310 C3	6210 C3	M36 X 2
200L	2, 4, 6, 8	6312 C3	6212 C3	M48 X 2
225S	4, 8	6313 C3	6213 C3	M48 X 2
225M	2, 4, 6, 8	6313 C3	6213 C3	M48 X 2

注：上述轴承是进口封闭式轴承。

制动器参数： Electromagnetic Brake Data

机座号 Frame No	工作气隙 Air Gap mm	静制动力矩 Static Braking torque Nm	空载制动时间 N-load brake lag time s	励磁功率 Energizing W
	A类/B类	A类/B类	A类/B类	A类/B类
71	0.2/0.2	4/4	28/30	20/28
80		8/8	31/32	25/25
90		16/16	47/45	30/30
100	0.3/0.3	32/32	53/56	40/40
112		60/60	42/57	50/85
132		80/80	57/60	55/55
160	0.4/0.4	150/150	78/78	85/85
180	0.4/0.4	260/260	165/165	100/100
200	0.5/0.5	400/400	230/230	110/110
225				

注：空载制动时间是指直流开关在正常间隙和正常线圈温度下制动器响应时间。该时间很大程度上取决于工作间隙的值和调整方法。交流开关的吸合时间约比直流开关高10倍。

Note: The no load brake lag time is the brake lag time when you cut off the DC power supply with the nominal gap and nominal temperature of winding. This time depends on the value of the gap and the adjustment method. The brake lag time cut by the AC power supply is about ten times longer than cut by the DC power supply.

出线端标志：

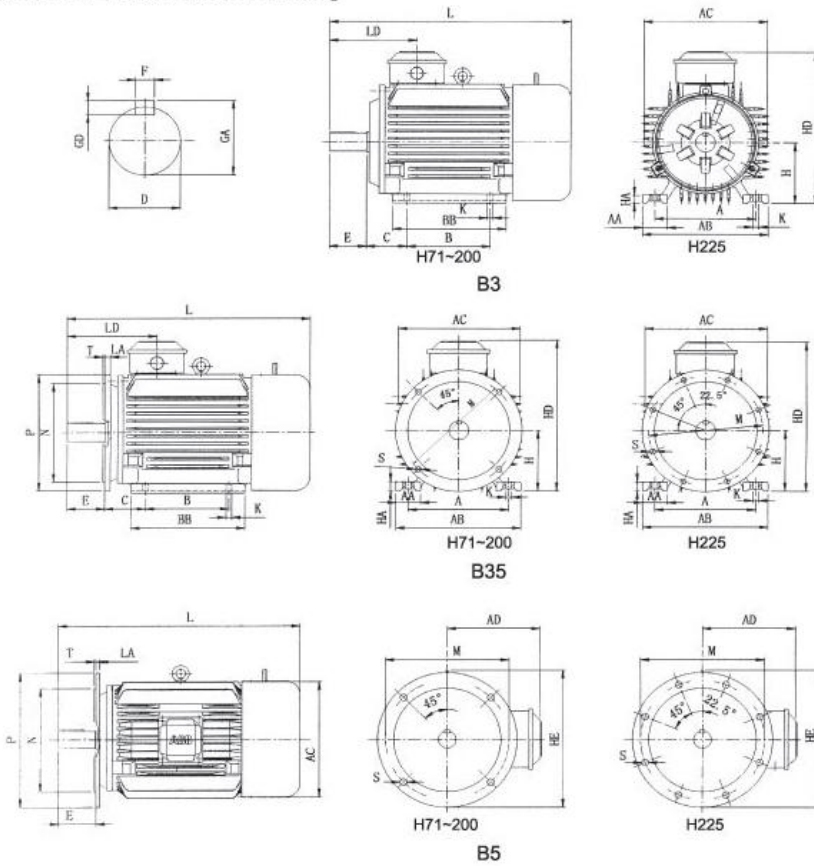
电动机定子绕组六个出线端和励磁线圈的二个出线端在接线板的接线位置的标志如下表：

Outlet Terminal Marks

Marks of 6 outlet terminals for motor stator winding & 2 outlet terminals for exciting coil located on the terminals plate are shown as follows:

绕组名称 Winding		出线端标志 Outlet Terminal Marks	
		始端 At the start	末端 At the end
定子绕组 Stator Winding	第一组 1st phase	U1	U2
	第二组 2st phase	V1	V2
	第三组 3st phase	W1	W2
励磁线圈 Exciting Coil.		+	-

电动机外形图 Dimension Drawing



Type MCAEJ QAEJ	Poles	A	AA	AB	AC	B	BB	C	D	E	F	GA	GD	H	HA
71M	2-6	112	30	145	145	90	120	45	14-j6	30	5	16	5	71	10
80M	2-8	125	35	160	165	100	135	50	19-j6	40	6	21.5	6	80	12
90S	2-8	140	35	175	180	100	140	56	24-j6	50	8	27	7	90	12
90L	2-6	140	35	175	180	125	165	56	24-j6	50	8	27	7	90	12
100L	2-8	160	40	200	205	140	180	63	28-j6	60	8	31	7	100	15
112M	2-8	190	50	235	225	140	190	70	28-j6	60	8	31	7	112	15
132S	2-8	216	55	270	265	140	205	89	38-k6	80	10	41	8	132	18
132M	4-8	216	55	270	265	178	240	89	38-k6	80	10	41	8	132	18
160M	2-8	254	60	325	330	210	265	108	42-k6	110	12	45	8	160	22
160L	2-8	254	60	325	330	254	310	108	42-k6	110	12	45	8	160	22
180M	2-4	279	70	350	355	241	315	121	48-k6	110	14	51.5	9	180	22
180L	4-8	279	70	350	350	279	350	121	48-k6	110	14	51.5	9	180	22
200L	2-8	318	70	390	395	305	380	133	55-m6	110	16	59	10	200	25
225S	4-8	356	75	435	440	286	380	149	60-m6	140	18	64	11	225	28
225M	2	356	75	435	450	311	405	149	55-m6	110	16	59	10	225	28
225M	4-8	356	75	435	450	311	405	149	60-m6	140	18	64	11	225	28

铭牌 Rating Plate

ABB ABB Motors CE					
3-motor. QAEJ180L8A					
No. _____					
S1			IP55		
Ins. cl. F					204 kg
V	Hz	kW	r/min	A	cosφ
380Δ	50	11	725	24.12	0.79
brake IP54					
d.c.ex 205 V			braking 260 Nm		
Cat.no QAEJ 184501-ABA					
6310 ZZ/C3 6210 ZZ/C3					
IEC 60034-1					

ABB ABB Motors CE					
3-Mot. MQAEJ 132S2A IEC60034-1					
MQAEJ131101-ADA					
6208 DDU/C3		6208 DDU/C3		IP55	cl.F
V	Hz	r/min	kW	cosφ	A
380-420Δ	50	2920	5.5	0.89	10.70
660-690Y	50	2920	5.5	0.89	6.18
brake IP54			brake A.C. 220 V		
D.C.ex 205 V		braking 80		Nm	
No. _____					70 kg