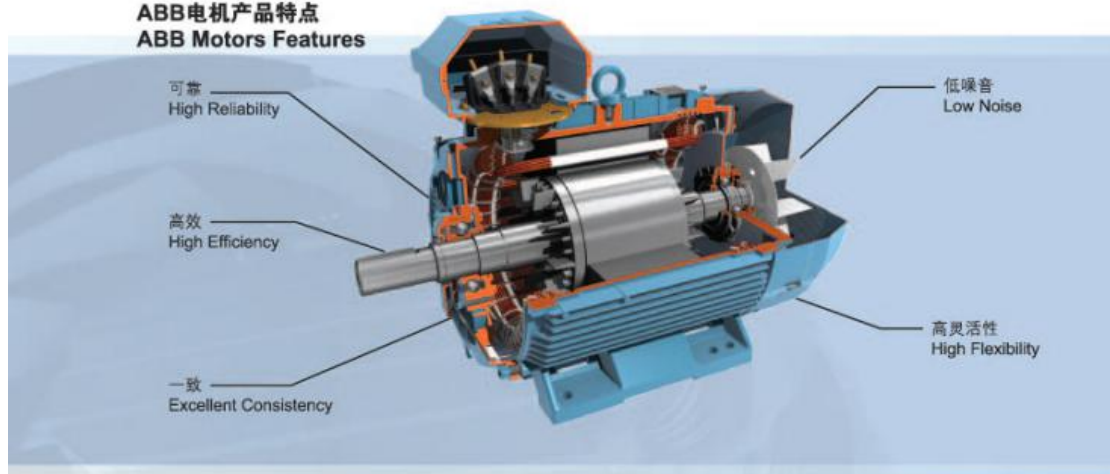


ABB电机产品特点 ABB Motors Features



M2QA/M2QA-H系列突出特点

- ◆ 专门为船用设备设计，以优异的性能和可靠性广泛应用于全球的各大船用设备制造企业。
- ◆ 电机外壳材料采用高强度铸铁，具有良好的耐冲击性能。
- ◆ 针对各种恶劣的海洋环境进行表面处理，具有卓越的防潮、防霉及防盐雾性能。
- ◆ 适应各国船用设备对电源和频率的要求，可用380V/50Hz，亦可使用440V/60Hz。

Outstanding Features of M2QA/M2QA-H Motors

- ◆ Specially designed for marine equipment and environment, the M2QA/M2QA-H motors with high performance and high reliability are widely used by leading marine equipment manufactures.
- ◆ Special high strength cast iron is used in parts such as frame and shaft.
- ◆ Special surface treatment can withstand various marine environments as for instance extremely high humidity and salty air.
- ◆ Power supply and frequency can meet the requirements of marine equipment of any shipbuilder. 380V/50Hz and 440V/60Hz are the most frequent combinations of voltage/frequency.



振动

电动机在空载时测得的振动速度有效值见下表的数据：

Vibration

The measure of vibration speed at no load are in the table below:

机座号 Frame size	80~132	160~280	315~355
振动等级 Vibration grade	振动速度有效值 Vibration speed (mm/s)		
A	1.6	2.2	2.8

铭牌 Rating Plate

ABB Marine Motors			
3-Mot	M2QA200L2A		
IEC	200L 55		
NO	30	kW	
	380 Δ	V	
	55.04	A	
	2950	r / min	
50 Hz	S 1	cosa	0.91
Ins.cl.	F IP 55	AMB.	50 $^{\circ}$ C
Heater		W	
Heater		V	
Cat.no	3GQA201501—BBA		
6312 / C3		6312 / C3	235 kg
	IEC60034-1		

ABB		Marine Motors			
3-Mot	M2QA90L2A	3GQA091501-BAA		IEC60034-1	
6205 / C3		6205 / C3	IP 55	cl. F	
2.2	kW	380	V		
4.56	A	2850	r / min		
50 Hz	cosa 0.90	IM	B3		
AMB	50 $^{\circ}$ C	24	kg		
Heater	W				
No	Date				



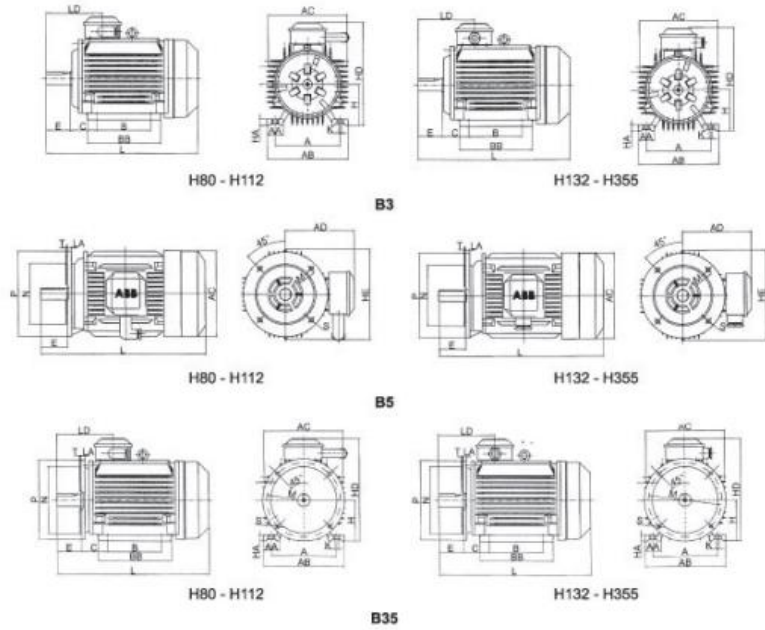
轴承型号 Bearings

下表列出了标准配置下的单列深沟球轴承。71-225标配封闭式轴承，250-355标配开启式轴承。

The motors are normally fitted with single-row deep groove ball bearings as listed in the table below. Close-type bearing is provided as standard for 71-255, open-type bearing for 250-355.

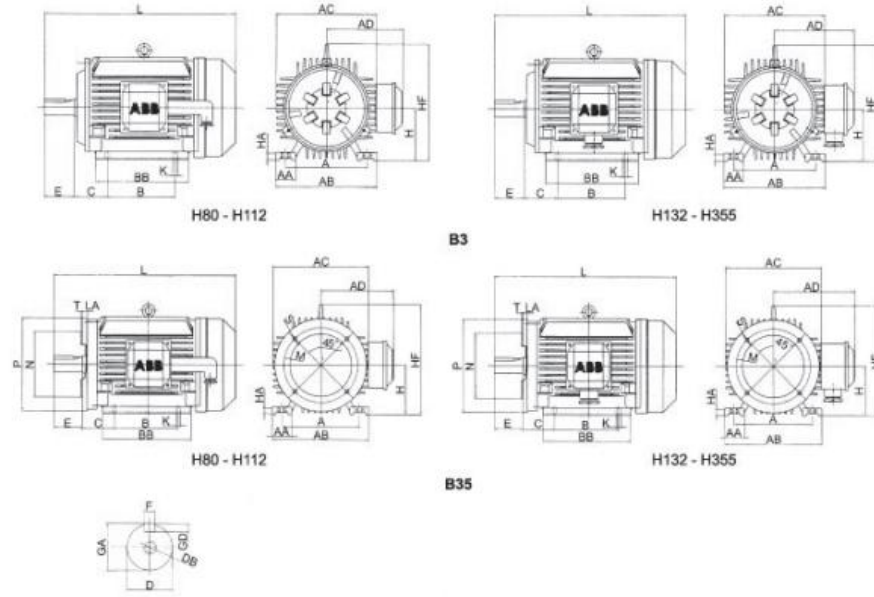
型号 Type	极数 Poles	轴承型号 Bearing type	轴伸端D-end	非轴伸端N-end	接线盒填料筒 Cable entry (mm)
71M	2, 4, 6, 8	6202 C3	6202 C3		TJ16
80M	2, 4, 6, 8	6204 C3	6204 C3		TJ16
90S	2, 4, 6, 8	6205 C3	6205 C3		TJ16
90L	2, 4, 6, 8	6205 C3	6205 C3		TJ16
100L	2, 4, 6, 8	6206 C3	6206 C3		TJ16
112M	2, 4, 6, 8	6207 C3	6207 C3		TJ16
132S	2, 4, 6, 8	6208 C3	6208 C3		TJ28
132M	2, 4, 6, 8	6208 C3	6208 C3		TJ28
160M	2, 4, 6, 8	6309 C3	6209 C3		TJ28
160L	2, 4, 6, 8	6309 C3	6209 C3		TJ28
180M	2, 4, 6, 8	6310 C3	6310 C3		TJ28
180L	2, 4, 6, 8	6310 C3	6310 C3		TJ28
200L	2, 4, 6, 8	6312 C3	6312 C3		TJ34
225S	4, 6, 8	6313 C3	6313 C3		TJ34
225M	2	6313 C3	6313 C3		TJ34
225M	4, 6, 8	6313 C3	6313 C3		TJ34
250M	2	6314 C3	6314 C3		2/TJ42+1/TJ13
250M	4, 6, 8	6314 C3	6314 C3		2/TJ42+1/TJ13
280S	2	6316 C4	6316 C4		2/TJ42+1/TJ13
280S	4, 6, 8	6316 C3	6316 C3		2/TJ42+1/TJ13
280M	2	6316 C4	6316 C4		2/TJ42+1/TJ13
280M	4, 6, 8	6316 C3	6316 C3		2/TJ42+1/TJ13
315S	2	6316 C4	6316 C4		12/TJ58+1/TJ13
315S	4, 6, 8	6319 C3	6319 C3		12/TJ58+1/TJ13
315M	2	6316 C4	6316 C4		12/TJ58+1/TJ13
315M	4, 6, 8	6319 C3	6319 C3		12/TJ58+1/TJ13
315L	2	6316 C4	6316 C4		12/TJ58+1/TJ13
315L	4, 6, 8	6319 C3	6319 C3		12/TJ58+1/TJ13
355M	2	6319M C4	6319 C4		12/TJ58+1/TJ13
355M	4, 6, 8	6322 C3	6329 C3		12/TJ58+1/TJ13
355L	2	6319M C4	6319 C4		12/TJ58+1/TJ13
355L	4, 6, 8	6322 C4	6319 C3		12/TJ58+1/TJ13

电动机外形图 Dimension Drawing



型号 Type	极数 Poles	A	AA	AB	AC	B	BB	C	D	E	F	GA	GD	DB	H
71M	2-6	112	30	145	140	90	115	45	ø14	30	5	-	5	M5	71
80M	2-6	125	35	160	165	100	135	50	ø19	40	6	21.5	6	M6	80
90S	2-6	140	35	175	180	100	140	56	ø24	50	8	27	7	M8	90
90L	2-6	140	35	175	180	125	165	56	ø24	50	8	27	7	M8	90
100L	2-8	160	40	200	205	140	180	63	ø28	60	8	31	7	M10	100
112M	2-8	190	50	240	225	140	190	70	ø28	60	8	31	7	M10	112
132S	2-8	216	55	270	265	140	205	89	ø38	80	10	41	8	M12	132
132M	2-8	216	55	270	265	178	240	89	ø38	80	10	41	8	M12	132
160M	2-8	254	60	325	330	210	265	108	ø42	110	12	45	8	M16	160
160L	2-8	254	60	325	330	254	310	108	ø42	110	12	45	8	M16	160
180M	2-4	279	70	350	355	241	315	121	ø48	110	14	51.5	9	M16	180
180L	4-8	279	70	350	355	279	350	121	ø48	110	14	51.5	9	M16	180
200L	2-8	318	70	390	395	305	380	133	ø55	110	16	59	10	M20	200
225S	4-8	356	75	435	440	286	380	149	ø60	140	18	64	11	M20	225
225M	2	356	75	435	440	311	405	149	ø55	110	16	59	10	M20	225
225M	4-8	356	75	435	440	311	405	149	ø60	140	18	64	11	M20	225
250M	2	406	80	490	515	349	455	168	ø60	140	18	64	11	M20	250
250M	4-8	406	80	490	515	349	455	168	ø65	140	18	69	11	M20	250
280S	2	457	85	555	545	368	490	190	ø65	140	18	69	11	M20	280
280S	4-8	457	85	555	545	368	490	190	ø75	140	20	79.5	12	M20	280
280M	2	457	85	555	545	419	540	190	ø65	140	18	69	11	M20	280
280M	4-8	457	85	640	545	419	540	190	ø75	140	20	79.5	12	M20	280
315S	2	508	120	640	630	406	570	216	ø65	140	18	69	11	M20	315
315S	4-8	508	120	640	630	406	570	216	ø80	170	22	85	14	M20	315
315M	2	508	120	640	630	457	685	216	ø65	140	18	69	11	M20	315
315M	4-8	508	120	640	630	457	685	216	ø80	170	22	85	14	M20	315
315L	2	508	120	640	630	508	685	216	ø65	140	18	69	11	M20	315
315L	4-8	508	120	640	630	508	685	216	ø80	170	22	85	14	M20	315
355M	2	610	120	730	710	560	750	254	ø70	140	20	74.5	12	M20	355
355M	4-6	610	120	730	710	560	750	254	ø100	210	28	106	16	M24	355
355L	2	610	120	730	710	630	750	254	ø70	140	20	74.5	12	M20	355
355L	4-6	610	120	730	710	630	750	254	ø100	210	28	106	16	M24	355

电动机外形图 Dimension Drawing



型号 Type	极数 Poles	HA	HD	HF	K	L	LD	AD	LA	M	N	P	S	T	HE
71M	2-6	9	205	-	e7	252	98	133	10	e130	e110	e160	4-e10	3.5	140
80M	2-6	12	245	185	e10	285	118	165	9	e165	e130	e200	4-e12	3.5	200
90S	2-6	12	265	195	e10	310	128	175	10	e165	e130	e200	4-e12	3.5	200
90L	2-6	12	265	195	e10	335	128	175	10	e165	e130	e200	4-e12	3.5	200
100L	2-8	14	280	245	e12	380	138	185	11	e215	e180	e250	4-e15	4	270
112M	2-8	15	295	265	e12	395	144	185	11	e215	e180	e250	4-e15	4	278
132S	2-8	18	335	300	e12	465	169	205	12	e265	e230	e300	4-e15	4	320
132M	2-8	18	335	300	e12	505	169	205	12	e265	e230	e300	4-e15	4	320
160M	2-8	22	420	380	e15	600	250	260	15	e300	e250	e350	4-e19	5	400
160L	2-8	22	420	380	e15	645	250	260	15	e300	e250	e350	4-e19	5	400
180M	2-4	22	455	420	e15	670	270	275	18	e300	e250	e350	4-e19	5	420
180L	4-8	22	455	420	e15	710	270	275	18	e300	e250	e350	4-e19	5	420
200L	2-8	25	510	470	e19	770	285	310	20	e350	e300	e400	4-e19	5	470
225S	4-8	28	560	520	e19	820	340	335	20	e400	e350	e450	8-e19	5	520
225M	2	28	560	520	e19	815	310	335	20	e400	e350	e450	8-e19	5	520
225M	4-8	28	560	520	e19	840	340	335	20	e400	e350	e450	8-e19	5	520
250M	2	30	645	580	e24	930	360	395	22	e500	e450	e550	8-e19	5	655
250M	4-8	30	645	580	e24	930	360	395	22	e500	e450	e550	8-e19	5	655
280S	2	35	715	645	e24	975	355	435	22	e500	e450	e550	8-e19	5	725
280S	4-8	35	715	645	e24	975	355	435	22	e500	e450	e550	8-e19	5	725
280M	2	35	715	645	e24	1040	355	435	22	e500	e450	e550	8-e19	5	725
280M	4-8	35	715	645	e24	1040	355	435	22	e500	e450	e550	8-e19	5	725
315S	2	45	870	765	e28	1190	400	555	24	e600	e550	e660	8-e24	6	905
315S	4-8	45	870	765	e28	1220	435	555	24	e600	e550	e660	8-e24	6	905
315M	2	45	870	765	e28	1300	400	555	24	e600	e550	e660	8-e24	6	905
315M	4-8	45	870	765	e28	1330	435	555	24	e600	e550	e660	8-e24	6	905
315L	2	45	870	765	e28	1300	400	555	24	e600	e550	e660	8-e24	6	905
315L	4-8	45	870	765	e28	1330	435	555	24	e600	e550	e660	8-e24	6	905
355M	2	52	1010	850	e35	1495	430	650	25	e740	e680	e800	8-e24	6	1020
355M	4-6	52	1010	850	e35	1565	500	650	25	e740	e680	e800	8-e24	6	1020
355L	2	52	1010	850	e35	1495	430	650	25	e740	e680	e800	8-e24	6	1020
355L	4-6	52	1010	850	e35	1565	500	650	25	e740	e680	e800	8-e24	6	1020

电机技术数据表 Technical Data Table

IP55 IC411 F级绝缘 Insulation class F
F级温升 Temperature rise class F

380V 50Hz													
功率 Output kW	型号规格 Type designation	产品代码 Product code	转速 Speed n r/min	效率 Efficiency $\eta\%$	功率因数 Power factor cos ϕ	电流 Current		转矩 Torque			转动惯量 Moment of inertia J=GD ² (4g) kgm ²	重量 Weight kg	噪声 Sound pressure level Lp dB(A)
						额定电流 I _N A	堵转电流 I _s /I _N	额定转矩 T _N Nm	堵转转矩 T _s /T _N	最大转矩 T _{MAX} /T _N			
3000r/min=2 poles Basic design													
0.37	M2QA 71M2A3GQA	071301-1C	2785	70	0.85	0.94	5.0	1.28	2	2.2	0.00030	10	60
0.55	71M2B	071302-1C	2780	73	0.86	1.33	5.0	1.89	2	2.2	0.00037	11	60
0.75	80M2A	081301-1C	2815	74	0.87	1.77	5.5	2.54	2.2	2.4	0.00091	16	61
1.1	80M2B	081302-1C	2830	75.8	0.87	2.53	5.0	3.71	2.2	2.3	0.00107	17	61
1.5	90S2A	091101-1C	2830	78.5	0.885	3.28	6.0	5.06	2.1	2.3	0.00135	21	66
2.2	90L2A	091501-1C	2830	81	0.88	4.69	6.5	7.42	2.6	2.8	0.00163	24	66
3	100L2A	101501-1C	2840	82.6	0.88	6.27	6.0	10.1	2.3	2.4	0.00402	33	70
4	112M2A	111301-1C	2855	83.2	0.915	7.98	6.5	13.4	2.1	2.6	0.00671	42	72
5.5	132S2A	131101-1C	2885	86.5	0.895	10.8	6.7	18.2	2.0	2.6	0.01241	58	73
7.5	132S2B	131102-1C	2895	87.5	0.90	14.5	6.7	24.7	2.0	2.6	0.01491	63	73
11	160M2A	161301-1C	2910	89.3	0.885	21.1	6.5	36.1	2.2	2.8	0.0438	112	77
15	160M2B	161302-1C	2910	90	0.895	28.3	6.5	49.2	2.2	2.8	0.0551	122	77
18.5	180L2A	181501-1C	2910	90.3	0.905	34.4	6.8	60.7	2.4	2.8	0.06549	142	77
22	180M2A	181301-1C	2938	90.7	0.91	40.50	6.2	71.6	2.0	2.5	0.08805	170	80
30	200L2A	201501-1C	2950	91.2	0.91	54.9	6.5	97.1	2.2	2.7	0.14821	235	82
37	200L2B	201502-1C	2950	92	0.915	66.8	6.5	120	2.2	2.7	0.16822	254	82
45	225M2A	221301-1C	2965	92.4	0.90	82.2	6.8	145	2.1	2.3	0.29345	328	84
55	250M2A	251301-1C	2955	93	0.905	98.7	6.9	178	2.2	2.6	0.3784	390	84
75	280S2A	281101-1C	2965	93.3	0.92	133	7.0	242	2.5	2.8	0.587	504	86
90	280M2A	281301-1C	2965	93.6	0.925	158	7.0	290	2.5	2.8	0.615	560	86
110	315S2A	311101-1C	2975	93.6	0.90	196	6.8	353	2.2	2.8	1.4083	910	90
132	315M2A	311301-1C	2975	94.3	0.905	232	6.7	424	2.2	3.8	1.5584	1010	90
160	315L2A	311501-1C	2975	94.4	0.91	280	6.8	514	2.2	2.8	1.7256	1070	90
200	315L2B	311502-1C	2970	94.8	0.915	347	6.8	643	2.2	2.8	1.9405	1120	90
250	355M2A	351301-1C	2980	95.3	0.905	440	5.8	801	1.8	2.7	3.05	1488	92
315	355L2A	351501-1C	2980	95.9	0.905	551	5.8	1009	1.8	2.7	3.6	1786	92

380V 50Hz													
功率 Output kW	型号规格 Type designation	产品代码 Product code	转速 Speed n r/min	效率 Efficiency $\eta\%$	功率因数 Power factor cos ϕ	电流 Current		转矩 Torque			转动惯量 Moment of inertia J=GD ² (4g) kgm ²	重量 Weight kg	噪声 Sound pressure level Lp dB(A)
						额定电流 I _N A	堵转电流 I _s /I _N	额定转矩 T _N Nm	堵转转矩 T _s /T _N	最大转矩 T _{MAX} /T _N			
1500r/min=4 poles Basic design													
0.25	M2QA 71M4A3GQA	072301-1C	1385	67	0.735	0.77	4.0	1.72	2	2.1	0.00053	11	47
0.37	71M4B	072302-1C	1385	67	0.775	1.11	4.0	2.55	2	2.1	0.00066	11	49
0.55	80M4A	082301-1C	1390	71.5	0.78	1.54	4.5	3.78	1.2	2.4	0.00145	16	50
0.75	80M4B	082302-1C	1395	72	0.795	1.99	4.5	5.13	2.1	2.4	0.00174	17	52
1.1	90S4A	092101-1C	1375	76	0.785	2.80	5.0	7.64	2.2	2.3	0.00254	21	57
1.5	90L4A	092501-1C	1380	78	0.805	3.63	5.0	10.4	2.2	2.3	0.00317	25	57
2.2	100L4A	102501-1C	1410	81	0.825	5.0	6.0	14.9	2.4	2.5	0.00679	32	58
3	100L4B	102502-1C	1405	82	0.84	6.62	6.0	20.4	2.3	2.5	0.00862	36	58
4	112M4A	112301-1C	1425	84.5	0.81	8.88	6.5	26.8	2.3	2.7	0.01308	45	60
5.5	132S4A	132101-1C	1420	85.5	0.84	11.6	6.5	37.0	2.4	2.5	0.02673	60	63
7.5	132M4A	132102-1C	1425	86.8	0.84	15.6	6.5	50.3	2.5	2.5	0.03432	73	63
11	160M4A	162301-1C	1450	88.5	0.865	21.8	6.5	72.4	2.2	2.7	0.06543	116	69
15	160L4A	162501-1C	1450	89.3	0.885	28.8	6.5	98.8	2.2	2.5	0.09349	137	69
18.5	180M4A	182301-1C	1465	91	0.88	35.1	7.0	121	2.2	2.7	0.16049	170	70
22	180L4A	182501-1C	1465	91.3	0.89	41.1	7.0	143	2.2	2.7	0.18046	186	70
30	200L4A	202501-1C	1470	91.9	0.885	56.0	6.5	195	2.1	2.7	0.2819	254	75
37	225S4A	222101-1C	1475	92.3	0.875	69.6	6.5	240	2.0	2.6	0.37	308	76
45	225M4A	222301-1C	1475	92.5	0.88	84.00	6.5	291	2.0	2.6	0.42	335	76
55	250M4A	252301-1C	1470	93.2	0.89	101	6.5	357	2.2	2.8	0.78	450	77
75	280S4A	282101-1C	1475	93.4	0.89	137	6.0	486	2.0	2.2	1.10	534	80
90	280M4A	282301-1C	1480	93.8	0.90	162	6.2	581	2.0	2.6	1.35	592	80
110	315S4A	312101-1C	1480	94	0.875	202	6.2	710	1.9	2.1	2.8596	930	86
132	315M4A	312301-1C	1480	94.5	0.88	240.0	6.2	852	1.9	2.1	3.1848	1030	86
160	315L4A	312501-1C	1480	94.7	0.88	290	6.0	1032	2.0	2.2	3.6765	1050	86
200	315L4B	312502-1C	1480	94.8	0.885	362	6.0	1291	2.0	2.2	4.2516	1100	86
250	355M4A	352301-1C	1485	95.5	0.905	439	5.8	1608	1.9	2.6	6.77	1546	87
315	355L4A	352501-1C	1485	95.8	0.905	552	5.8	2026	2.1	2.8	6.2	1821	87

Code letters for supplementing the product code
Code letter for voltage and frequency

产品供应代码
电压和频率代码

A	B			X
380VY50Hz	380V△50Hz	440V△60Hz	440VY60Hz	Other rated voltage, connection or frequency, max.690V
440V60HZ	440V△60Hz	440V△60Hz	440VY60Hz	Other rated voltage, connection or frequency, max.690V

电机技术数据表 Technical Data Table

IP55 IC411

F级绝缘 Insulation class F
F级温升 Temperature rise class F

380V 50Hz													
功率 Output kW	型号规格 Type designation	产品代码 Product code	转速 Speed n r/min	效率 Efficiency η%	功率因数 Power factor cosφ	电流 Current		转矩 Torque			转动惯量 Moment of inertia J=GD ² /(4g) kgm ²	重量 Weight kg	噪声 Sound pressure level Lp dB(A)
						额定电流 IN A	堵转电流 Is/IN	额定转矩 TN Nm	堵转转矩 Ts/TN	最大转矩 TMAX/TN			
1000r/min=6 poles Basic design													
0.18	M2QA 71M6A3GQA	073301-1°C	880	51	0.7	0.77	3.0	1.90	2.0	2.2	0.00056	10	45
0.25	71M6B	073302-1°C	880	55	0.7	0.99	3.0	2.70	2.0	2.2	0.00074	11	45
0.37	80M6A	083301-1°C	915	63	0.70	1.27	4.0	3.86	1.9	1.9	0.00159	17	48
0.55	80M6B	083302-1°C	910	64.5	0.72	1.80	4.0	5.77	1.7	1.8	0.00196	18	48
0.75	90S6A	093101-1°C	910	70	0.755	2.16	4.0	7.87	1.8	2.1	0.00292	21	51
1.1	90L6A	093501-1°C	910	72	0.775	3.00	4.0	11.54	1.9	2.1	0.00379	25	51
1.5	100L6A	100501-1°C	920	76	0.77	3.89	5.0	15.6	2.0	2.1	0.00999	32	57
2.2	112M6A	113301-1°C	930	78.5	0.755	5.64	4.6	22.6	1.9	2.1	0.01559	40	60
3	132S6A	133101-1°C	935	80.8	0.78	7.23	6.1	30.6	2.2	2.4	0.03116	55	60
4	132M6A	133301-1°C	940	82.2	0.78	9.48	6.1	40.6	2.5	2.6	0.04074	65	60
5.5	132M6B	133302-1°C	935	84.3	0.80	12.4	6.1	56.2	2.2	2.4	0.05332	75	60
7.5	160M6A	163301-1°C	960	87	0.79	16.6	5.7	74.6	2.1	2.5	0.09231	119	66
11	160L6A	163501-1°C	960	87.5	0.80	23.9	5.7	109	2.1	2.5	0.12970	140	67
15	180L6A	183501-1°C	970	89.3	0.84	30.4	6.2	148	2.2	2.4	0.2418	180	67
18.5	200L6A	203501-1°C	975	90	0.845	37.0	5.7	181	2.0	2.4	0.34174	231	69
22	200L6B	203502-1°C	975	90.1	0.85	43.6	5.7	216	2.0	2.4	0.46837	254	69
30	225M6A	223301-1°C	980	91.2	0.835	59.9	7.0	292	2.2	2.5	0.82891	308	70
37	250M6A	253301-1°C	975	91.5	0.89	68.3	6.5	362	2.0	2.4	0.97	382	73
45	280S6A	283101-1°C	980	91.7	0.885	84.2	5.7	439	2.1	2.2	1.25	482	74
55	280M6A	283301-1°C	980	92	0.885	103	5.7	536	2.1	2.2	1.485	532	75
75	315S6A	313101-1°C	985	93.3	0.87	140	5.3	727	1.8	2.2	3.1942	920	75
90	315M6A	313301-1°C	985	93.6	0.87	168	5.3	873	1.8	2.2	3.723	1010	75
110	315L6A	313501-1°C	985	93.8	0.88	202	5.3	1066	1.8	2.2	4.2564	1060	75
132	315L6B	313502-1°C	985	94.3	0.88	242	5.3	1280	1.8	2.2	5.1577	1120	75
160	355M6A	353301-1°C	990	94.7	0.89	288	6.8	1543	2.0	2.8	7.8	1530	79
200	355M6B	353302-1°C	990	95	0.895	357	6.6	1929	1.8	2.6	9.1	1800	79
250	355L6A	353501-1°C	990	95.2	0.895	446	6.8	2412	2.1	2.8	11.44	2167	79

380V 50Hz													
功率 Output kW	型号规格 Type designation	产品代码 Product code	转速 Speed n r/min	效率 Efficiency η%	功率因数 Power factor cosφ	电流 Current		转矩 Torque			转动惯量 Moment of inertia J=GD ² /(4g) kgm ²	重量 Weight kg	噪声 Sound pressure level Lp dB(A)
						额定电流 IN A	堵转电流 Is/IN	额定转矩 TN Nm	堵转转矩 Ts/TN	最大转矩 TMAX/TN			
750r/min=8 poles Basic design													
0.18	M2QA 80M8A 3GQA	084301-1°C	620	46.5	0.65	0.9	2.7	2.72	1.7	1.9	0.00111	16	-
0.25	80M8B	084302-1°C	620	50.5	0.64	1.18	2.7	3.85	1.7	1.9	0.00326	17	-
0.37	90S8A	094101-1°C	690	60	0.62	1.57	3.5	5.12	1.8	2.0	0.00541	21	-
0.55	90L8A	094502-1°C	690	62.5	0.635	2.11	3.5	7.61	1.8	2.0	0.00756	24	-
0.75	100L8A	104501-1°C	690	67.5	0.67	2.52	3.7	10.4	1.8	2.0	0.00971	31	56
1.1	100L8B	104502-1°C	665	68	0.68	3.01	3.7	15.8	1.8	2.0	0.01186	34	56
1.5	112M8A	114301-1°C	685	72.5	0.68	4.62	4.0	20.9	1.8	2.1	0.01559	42	58
2.2	132S8A	134101-1°C	705	78.6	0.74	5.75	5.0	29.8	2.0	2.3	0.03625	56	58
3	132M8A	134301-1°C	700	79.5	0.77	7.45	5.0	40.9	2.0	2.3	0.04141	64	59
4	160M8A	164301-1°C	710	83	0.77	9.51	5.2	53.8	2.1	2.5	0.0676	105	62
5.5	160M8B	164302-1°C	710	84.5	0.77	12.5	5.2	74.0	2.1	2.5	0.09524	125	62
7.5	180L8A	184501-1°C	715	85.5	0.77	17.3	5.2	100	2.1	2.5	0.12122	142	62
11	180L8B	184501-1°C	725	87.3	0.795	24.1	5.2	145	1.8	2.5	0.23645	176	65
15	200L8A	204501-1°C	725	88.8	0.805	31.9	5.6	198	1.9	2.3	0.37103	235	68
18.5	225S8A	224101-1°C	730	89.8	0.755	41.5	5.6	242	2.0	2.3	0.53287	290	69
22	225M8A	224301-1°C	730	90.3	0.77	48.1	5.6	288	2.0	2.3	0.66825	302	69
30	250M8A	254301-1°C	730	91	0.805	62.2	5.7	393	2.0	2.2	0.975	392	72
37	280S8A	284101-1°C	735	91.2	0.81	76.1	5.2	481	2.0	2.3	1.25	488	73
45	280M8A	284301-1°C	735	91.9	0.81	91.8	5.7	585	2.0	2.2	1.485	548	73
55	315S8A	314101-1°C	735	92.5	0.83	109	5.5	715	1.8	2.3	3.8842	930	70
75	315M8A	314301-1°C	735	92.8	0.83	148	5.5	974	1.8	2.3	4.9591	1010	73
90	315L8A	314501-1°C	735	93.5	0.84	176	5.5	1169	1.8	2.3	5.8205	1070	73
110	315L8B	314502-1°C	735	93.8	0.84	212	5.5	1429	1.8	2.3	6.753	1140	73
132	355M8A	354301-1°C	740	94.1	0.83	257	5.7	1704	1.8	2.2	8.6	1535	76
160	355M8B	354501-1°C	740	94.3	0.835	309	5.7	2065	1.8	2.2	10.01	1808	76
200	355L8A	354502-1°C	740	94.5	0.835	385	5.7	2581	1.9	2.4	12.5	2168	76

Code letters for supplementing the product code 产品供应代码
Code letter for voltage and frequency 电压和频率代码

A	B	X		
380VY50Hz	380V△50Hz	440V△60Hz	440VY60Hz	Other rated voltage, connection or frequency, max.690V