

Contents	Page
Han® K 3/0.....	<b>Han 14.4</b>
Han® K 3/2.....	<b>Han 14.6</b>
Hoods/Housings for Han® K 3/0, Han® K 3/2 .....	<b>Han 14.8</b>
Han® HC Modular 250.....	<b>Han 14.11</b>
Hoods/Housings for Han® HC Modular 250 .....	<b>Han 14.13</b>
Han® HC Modular 350.....	<b>Han 14.23</b>
Hoods/Housings for Han® HC Modular 350 .....	<b>Han 14.28</b>
Han® M hoods/housings for Han® HC Modular 350.....	<b>Han 14.45</b>
Han® HC Modular 650.....	<b>Han 14.48</b>
Hoods/Housings for Han® HC Modular 650 .....	<b>Han 14.52</b>
Han® 24 HPR EasyCon.....	<b>Han 14.59</b>
Han® 24 HPR EasyCon - Accessories .....	<b>Han 14.69</b>
Han® 48 HPR .....	<b>Han 14.70</b>

## Assembly instructions

Remarks on the axial screw termination see chapter 00

Step 1: The outer diameter of the cable must not exceed 19.5 mm.

Strip the cable by 19 mm.

Insert the cable through hood.

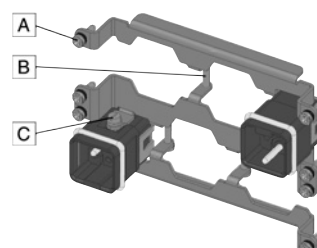
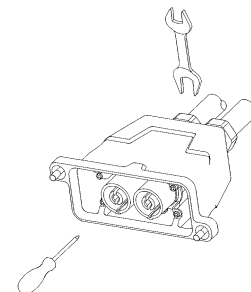
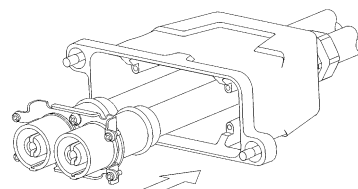
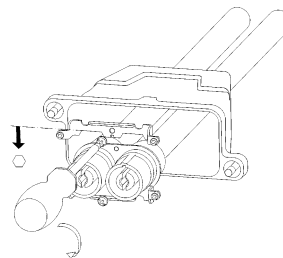
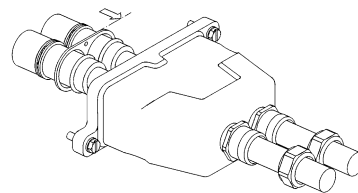
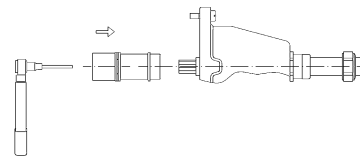
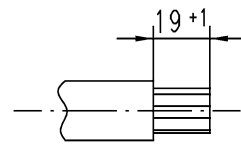
Step 2: Press the Han HC contact on the cable strand and apply tightening torque according table 1 by using a tightening torques tool. Take care that all cable strands fit completely inside the contact termination cavity. During assembling adhere the cable and the contact to minimise axial movement or twisting.

Step 3: Move the perforated plate across the HC contacts.

Step 4: Fit frame onto the hexagon shape of the HC contact. Coding can be arranged by turning the contact within 60° steps. Bolt the frame together with perforated plate.

Step 5: Push back the packet inside the good.

Step 6: Tighten the four M3 (tightening torque 0.5 Nm) screws and the cable gland according manufacturer recommendation.



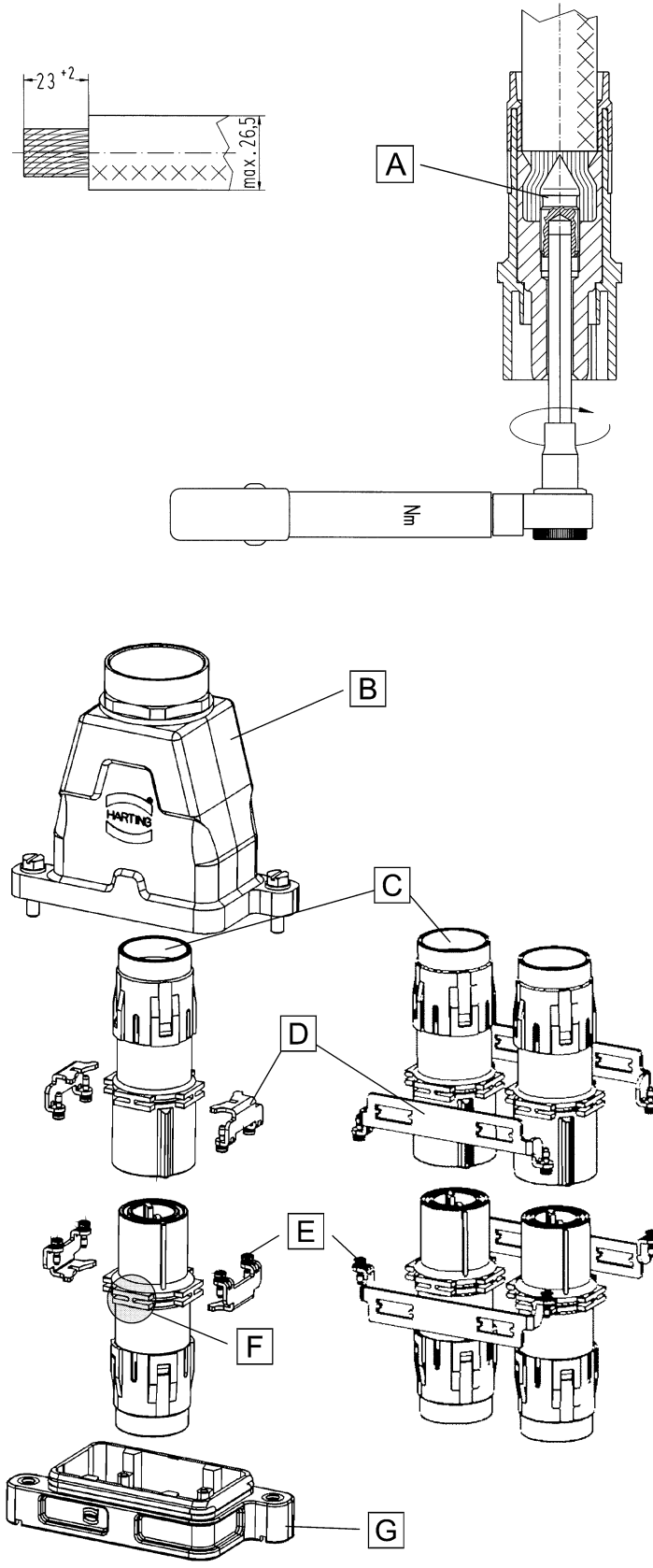
During the assembly of the frame for 4 poles the following tightening torques have to be taken into consideration:

A = 0.5 Nm

B = 1.5 Nm

C = 0.25 Nm

Assembly instructions



1. Strip cable to 23+2 mm.
2. Push conductor through the cable gland and the housing. Push the stripped end of the conductor into the termination entry of the module until the insulation touches the contact.
3. To tighten the axial screw, a hexagonal wrench size 8 is needed. Insert the hexagonal wrench on the mating side of the contact. At the same time, push the conductor over the axial screw. The locking screw has to be tightened with the recommended tightening torque that is determined by the conductor's cross section.
4. Once the modules are terminated, they are mounted into the housing by using two metal frames (tightening torque of the fixing screws = 0.5 Nm). The modules have 4 pegs formed by 2 parallel ribs (each peg shapes like a "H"). Each rib takes 1 pole frame, where the lateral link has to go into the relief of the frame. The 2 pole frames have 2 cutouts on the wall which get fitted to the "H"-shaped pegs (see figure). The heads of the screws have to face the mating direction of the module. Coding can be established by rotating the contact by 90 degrees. Therefore it is important that the corresponding modules are assembled in the correct position otherwise mating is not possible.
5. After assembling the modules in the housing, the tightening torque of the locking screw can be checked and corrected if necessary.
6. After final assembly of the contacts, the user should ensure that the cable is adequately strain relieved to protect the contact from radial stress.

A - Axial screw, B - Hood, C - Termination entry, D - Frame, E - Fixing screws, F - parallel ribs with H-shape, G - Housings bulkhead mounting,

## Features

- The ideal connector for transmission of high currents requiring little space
- The vertical and angled versions offer solutions for almost all applications
- The angled versions offer a space-saving 90° cable wiring

## Technical characteristics

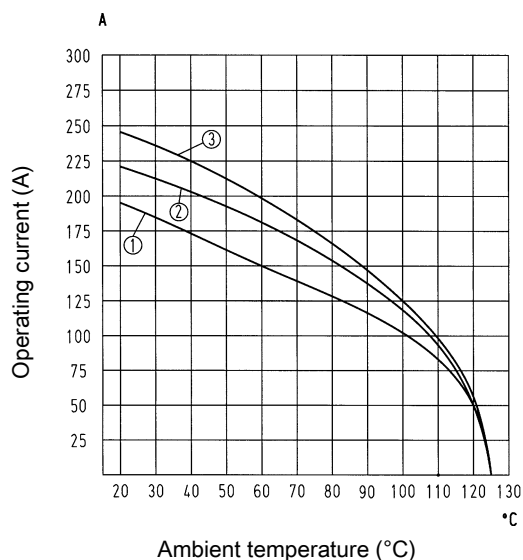
Number of contacts	3
Rated current	200 A
Rated voltage conductor-earth	1150 V
Rated voltage conductor-conductor	2000 V
Rated impulse voltage	8 kV
Pollution degree	3
Rated current acc. to UL	200 A
Rated current acc. to CSA	160 A
Rated voltage acc. to UL	600 V
Rated voltage acc. to CSA	600 V
Insulation resistance	$\geq 10^{10} \Omega$
Contact resistance	$\leq 0.2 \text{ m}\Omega$
Limiting temperature	-40 ... +125 °C
Mating cycles	$\geq 500$
Material (insert)	Polycarbonate
Colour (insert)	RAL 7032 (pebble grey)
Material (contacts)	Copper alloy
Material flammability class acc. to UL 94	V-0
RoHS	compliant with exemption
RoHS exemptions	<b>6a:</b> Lead as an alloying element in steel for machining purposes and in galvanised steel containing up to 0.35 % lead by weight

## Derating

### Current carrying capacity

The current carrying capacity of the connectors is limited by the thermal load capability of the contact element material including the connections and the insulating parts. The derating curve is therefore valid for currents which flow constantly (non-intermittent) through each contact element of the connector evenly, without exceeding the allowed maximum temperature.

Measuring and testing techniques acc. to IEC 60512-5-2



- ① Conductor cross-section 35 mm<sup>2</sup>
- ② Conductor cross-section 50 mm<sup>2</sup>
- ③ Conductor cross-section 70 mm<sup>2</sup>

## Specifications and approvals

EN 60664-1  
IEC 61984  
UL 1977 ECBT2.E235076  
CSA-C22.2 No. 182.3 ECBT8.E235076  
DNV GL

## Details

**ATTENTION!** Only to be used with special Han® 24 HPR hoods and housings!

### Remarks on the axial screw technique

The wire gauges mentioned in the catalogue refer to geometric wire gauges of cables.

**Hex key (A/F 5)** see chapter 90


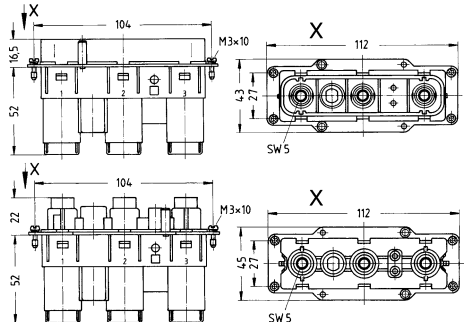

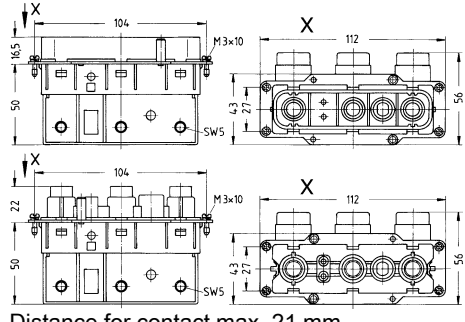
Number of contacts

# 3

200 A 1.150/2.000 V 8 kV 3



Han  
HC

Identification	Conductor cross-section (mm <sup>2</sup> )	Part number		Drawing (dimensions in mm)
		Male	Female	
<p>Han-Com®, Han® K 3/0, Straight, Axial screw termination, Contact surface: Silver plated</p> 	35 ... 70	09 38 005 2621	09 38 005 2721	 <p>Distance for contact max. 21 mm Stripping length 22 mm Tightening torque 8 Nm @ 35 mm<sup>2</sup>, 9 Nm @ 50 mm<sup>2</sup>, 10 Nm @ 70 mm<sup>2</sup></p>
<p>Han-Com®, Han® K 3/0, Angled, Axial screw termination, Contact surface: Silver plated</p> 	35 ... 70	09 38 005 2622	09 38 005 2722	 <p>Distance for contact max. 21 mm Stripping length 22 mm Tightening torque 8 Nm @ 35 mm<sup>2</sup>, 9 Nm @ 50 mm<sup>2</sup>, 10 Nm @ 70 mm<sup>2</sup></p>

## Features

- The ideal connector for transmission of high currents requiring little space
- The vertical and angled versions offer solutions for almost all applications
- The angled versions offer a space-saving 90° cable wiring

## Technical characteristics

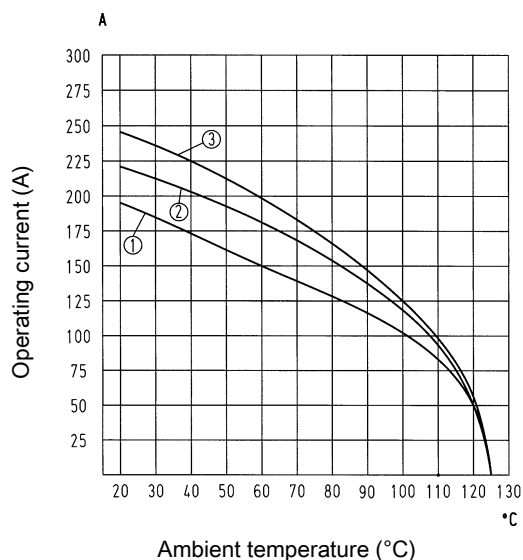
Number of contacts	3
Additional contacts	+ 2 additional signal contacts
Rated current	200 A
Rated voltage conductor-earth	1150 V
Rated voltage conductor-conductor	2000 V
Rated impulse voltage	8 kV
Pollution degree	3
Rated current (signal)	16 A
Rated voltage (signal)	400 V
Rated impulse voltage (signal)	6 kV
Pollution degree (signal)	3
Rated current acc. to UL	200 A
Rated current acc. to UL (signal)	16 A
Rated current acc. to CSA	160 A
Rated current acc. to CSA (signal)	16 A
Rated voltage acc. to UL	600 V
Rated voltage acc. to UL (signal)	600 V
Rated voltage acc. to CSA	600 V
Rated voltage acc. to CSA (signal)	600 V
Insulation resistance	$\geq 10^{10} \Omega$
Contact resistance	$\leq 0.2 \text{ m}\Omega$
Contact resistance, signal area	$\leq 1 \text{ m}\Omega$
Limiting temperature	-40 ... +125 °C
Mating cycles	$\geq 500$
Material (insert)	Polycarbonate
Colour (insert)	RAL 7032 (pebble grey)
Material (contacts)	Copper alloy
Material flammability class acc. to UL 94	V-0
RoHS	compliant with exemption
RoHS exemptions	<b>6a:</b> Lead as an alloying element in steel for machining purposes and in galvanised steel containing up to 0.35 % lead by weight, <b>6c:</b> Copper alloy containing up to 4 % lead by weight

## Derating

### Current carrying capacity

The current carrying capacity of the connectors is limited by the thermal load capability of the contact element material including the connections and the insulating parts. The derating curve is therefore valid for currents which flow constantly (non-intermittent) through each contact element of the connector evenly, without exceeding the allowed maximum temperature.

Measuring and testing techniques acc. to IEC 60512-5-2



- ① Conductor cross-section 35 mm<sup>2</sup>
- ② Conductor cross-section 50 mm<sup>2</sup>
- ③ Conductor cross-section 70 mm<sup>2</sup>

## Specifications and approvals

EN 60664-1  
IEC 61984  
UL 1977 ECBT2.E235076  
CSA-C22.2 No. 182.3 ECBT8.E235076  
DNV GL

## Details

ATTENTION! Only to be used with special Han® 24 HPR hoods and housings!

### Remarks on the axial screw technique

The wire gauges mentioned in the catalogue refer to geometric wire gauges of cables.

Hex key (A/F 5) see chapter 90


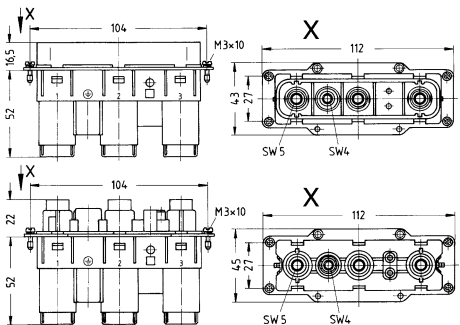

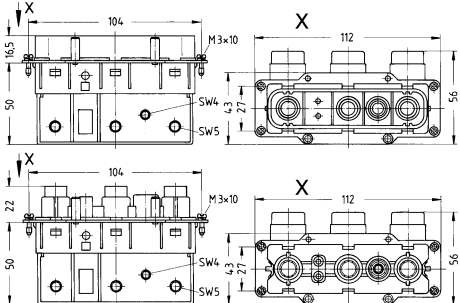
Hex key (A/F 4) for PE contact see chapter 90

Number of contacts

3+

200 A 1.150/2.000 V 8 kV 3  
 + 2 additional signal contacts  
 16 A 400 V 6 kV 3

Han  
 HC

Identification	Conductor cross-section (mm <sup>2</sup> )	Part number		Drawing (dimensions in mm)
		Male	Female	
Han-Com®, Han® K 3/2, Straight, Axial screw termination / screw termination, Contact surface: Silver plated 	35 ... 70, 0.5 ... 2.5 Signal, 16 ... 35 PE	09 38 005 2601	09 38 005 2701	 <p>Distance for contact max. 21 mm                      Stripping length 22 mm                      Tightening torque 8 Nm @ 35 mm<sup>2</sup>, 9 Nm @ 50 mm<sup>2</sup>, 10 Nm @ 70 mm<sup>2</sup>                      Signal contacts: Stripping length 7 mm,                      Tightening torque 0.5 Nm                      PE contact: Stripping length 14 mm, Tightening torque 6 Nm</p>
Han-Com®, Han® K 3/2, Angled, Axial screw termination / screw termination, Contact surface: Silver plated 	35 ... 70, 0.5 ... 2.5 Signal, 16 ... 35 PE	09 38 005 2602	09 38 005 2702	 <p>Distance for contact max. 21 mm                      Stripping length 22 mm                      Tightening torque 8 Nm @ 35 mm<sup>2</sup>, 9 Nm @ 50 mm<sup>2</sup>, 10 Nm @ 70 mm<sup>2</sup>                      Signal contacts: Stripping length 7 mm,                      Tightening torque 0.5 Nm                      PE contact: Stripping length 14 mm, Tightening torque 6 Nm</p>

## Features

- Hoods/housings for harsh outdoor environments
- Metal hoods and housings with excellent corrosion resistance
- Corrosion resistance ASTM B117-09 (500 h)
- Excellent EMC characteristics
- Screw locking M6
- Field of application: for external electrical interconnections in vehicles, in highly demanding environments and wet areas, as well as for sensitive interconnections that have to be shielded
- Distinguishing feature: colour-coded black, internal seal

## Technical characteristics

Limiting temperature	-40 ... +125 °C
Tightening torque (screw locking)	4 Nm
Degree of protection acc. to IEC 60529	IP65, IP68, IP69 / IPX9K acc. to ISO 20653
Type rating acc. to UL 50 / UL 50E	4, 4X, 12
Material (hood/housing)	Aluminium die-cast, Corrosion resistant
Surface (hood/housing)	Powder-coated
Colour (hood/housing)	RAL 9005 (jet black)
Material (seal)	NBR
Material (locking)	Stainless steel
RoHS	compliant, compliant with exemption
RoHS exemptions	<b>6c:</b> Copper alloy containing up to 4 % lead by weight


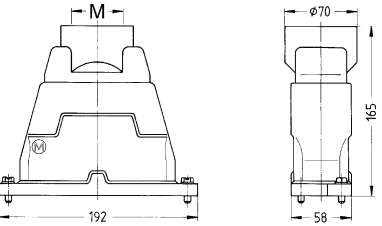

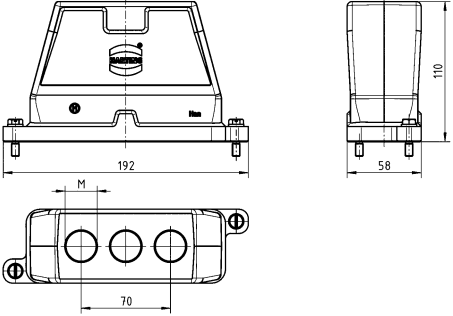

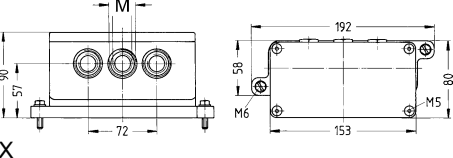

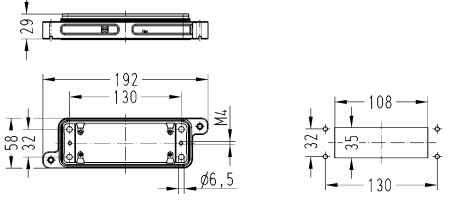
## Specifications and approvals

UL 1977 ECBT2.E235076  
 CSA-C22.2 No. 182.3 ECBT8.E235076  
 DNV GL



Hoods/housings for harsh outdoor environments  
Screw locking

Han  
HC

Identification	Cable entry	Part number	Drawing (dimensions in mm)
Han® HPR, Hoods, Special type, Top entry  	1x M63	19 40 024 0420	
Han® HPR, Hoods, Top entry  	3x M25 3x M25, 1x M20	19 40 024 0461 19 40 024 0471	
Han® HPR, Hoods, Special type, Angled entry  	3x M25	19 40 024 0631	
Han® HPR, Bulkhead mounted housings  		09 40 024 0311	



Han  
HC

Identification

Cable entry

Part number

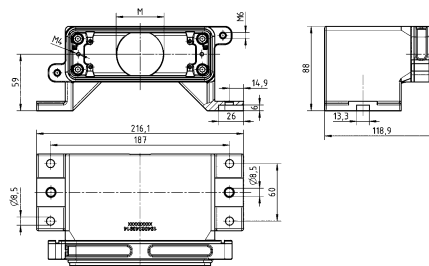
Drawing  
(dimensions in mm)

Han® HPR,  
Surface mounted housing,  
Horizontal version,  
Top entry



1x M50  
3x M25  
3x M25, 1x M20

19 40 024 0914  
19 40 024 0931  
19 40 024 0971

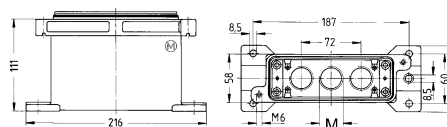


Han® HPR,  
Surface mounted housing,  
Top entry



3x M25  
3x M25, 1x M20

19 40 024 1231  
19 40 024 1271



## Features

- Contacts for fine stranded wire
- Low mating forces
- Suitable for HPR® hoods and housings

## Technical characteristics

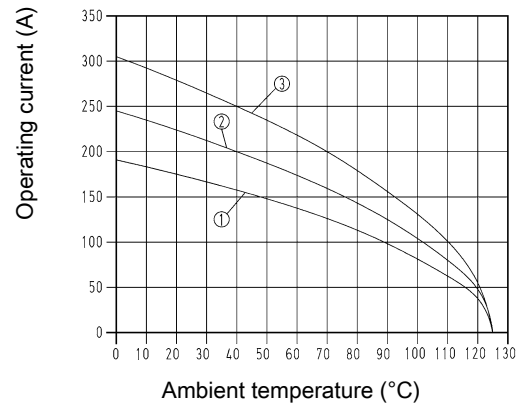
Rated current	250 A
Rated voltage	2000 V
Rated impulse voltage	12 kV
Pollution degree	3
Insulation resistance	$\geq 10^{10} \Omega$
Contact resistance	$\leq 0.3 \text{ m}\Omega$
Limiting temperature	-40 ... +125 °C
Mating cycles	$\geq 500$
Wire outer diameter	$\leq 18 \text{ mm}$
Material (insert)	Polycarbonate
Colour (insert)	RAL 7032 (pebble grey)
Material (contacts)	Copper alloy
Material flammability class acc. to UL 94	V-0
RoHS	compliant, compliant with exemption
RoHS exemptions	6c: Copper alloy containing up to 4 % lead by weight

## Derating

### Current carrying capacity

The current carrying capacity of the connectors is limited by the thermal load capability of the contact element material including the connections and the insulating parts. The derating curve is therefore valid for currents which flow constantly (non-intermittent) through each contact element of the connector evenly, without exceeding the allowed maximum temperature.

Measuring and testing techniques acc. to IEC 60512-5-2



- ① Conductor cross-section 35 mm<sup>2</sup>  
 ② Conductor cross-section 50 mm<sup>2</sup>  
 ③ Conductor cross-section 70 mm<sup>2</sup>  
 4 contacts in Han® 24 HPR

## Specifications and approvals

EN 60664-1  
 IEC 61984  
 EN 50124-1  
 DNV GL

## Details

**Removal tool** 09 99 000 0332 see chapter 90

For more technical details (i.e. number of crimping operations or crimping position) see eCatalogue


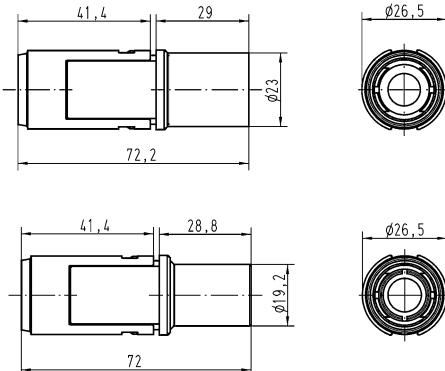

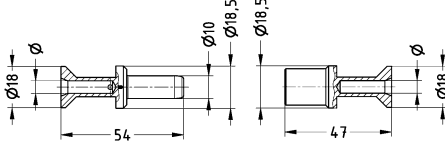

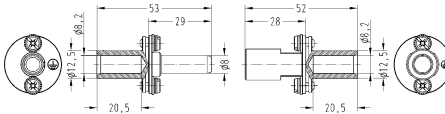
**Crimping tools** see chapter 90

### Remarks on the crimp technique

The wire gauges mentioned in the catalogue refer to geometric wire gauges of cables.

250 A 2.000 V 12 kV 3

Han  
HC

Identification	Conductor cross-section (mm <sup>2</sup> )	Part number		Drawing (dimensions in mm)																												
		Male	Female																													
Han® HC Modular, 250, Crimp termination  Please order crimp contacts separately.	10 ... 70	09 11 001 3021	09 11 001 3121																													
TC 250, Crimp contact, Contact surface: Silver plated 	10 16 25 35 50 70	09 11 000 6184 09 11 000 6185 09 11 000 6126 09 11 000 6127 09 11 000 6128 09 11 000 6129	09 11 000 6284 09 11 000 6285 09 11 000 6226 09 11 000 6227 09 11 000 6228 09 11 000 6229	 <table border="1" data-bbox="965 1220 1412 1422"> <thead> <tr> <th>Conductor cross-section</th> <th>Tool identification</th> <th>Stripping length A</th> <th>Ø</th> </tr> </thead> <tbody> <tr> <td>10 mm<sup>2</sup></td> <td>6</td> <td>22 mm</td> <td>4.3 mm</td> </tr> <tr> <td>16 mm<sup>2</sup></td> <td>8</td> <td>22 mm</td> <td>5.5 mm</td> </tr> <tr> <td>25 mm<sup>2</sup></td> <td>10</td> <td>22 mm</td> <td>7 mm</td> </tr> <tr> <td>35 mm<sup>2</sup></td> <td>12</td> <td>22 mm</td> <td>8.45 mm</td> </tr> <tr> <td>50 mm<sup>2</sup></td> <td>14</td> <td>22 mm</td> <td>10.25 mm</td> </tr> <tr> <td>70 mm<sup>2</sup></td> <td>16</td> <td>22 mm</td> <td>11.75 mm</td> </tr> </tbody> </table> <p>for stranded wire according to IEC 60 228 Class 5</p> <p>Crimp zone acc. to DIN 46235</p>	Conductor cross-section	Tool identification	Stripping length A	Ø	10 mm <sup>2</sup>	6	22 mm	4.3 mm	16 mm <sup>2</sup>	8	22 mm	5.5 mm	25 mm <sup>2</sup>	10	22 mm	7 mm	35 mm <sup>2</sup>	12	22 mm	8.45 mm	50 mm <sup>2</sup>	14	22 mm	10.25 mm	70 mm <sup>2</sup>	16	22 mm	11.75 mm
Conductor cross-section	Tool identification	Stripping length A	Ø																													
10 mm <sup>2</sup>	6	22 mm	4.3 mm																													
16 mm <sup>2</sup>	8	22 mm	5.5 mm																													
25 mm <sup>2</sup>	10	22 mm	7 mm																													
35 mm <sup>2</sup>	12	22 mm	8.45 mm																													
50 mm <sup>2</sup>	14	22 mm	10.25 mm																													
70 mm <sup>2</sup>	16	22 mm	11.75 mm																													
TC 250, Crimp contact, PE contact, Contact surface: Silver plated 	16 35	09 11 000 6190 09 11 000 6104	09 11 000 6290 09 11 000 6204																													

## Features

- Hoods/housings for harsh outdoor environments
- Metal hoods and housings with excellent corrosion resistance
- Corrosion resistance ASTM B117-09 (500 h)
- Excellent EMC characteristics
- Screw locking M6
- Field of application: for external electrical interconnections in vehicles, in highly demanding environments and wet areas, as well as for sensitive interconnections that have to be shielded

## Technical characteristics


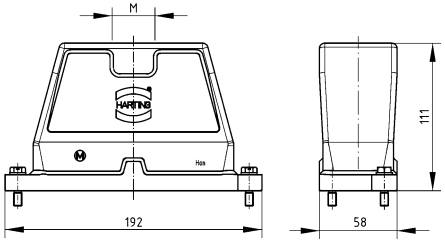


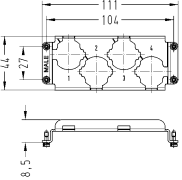
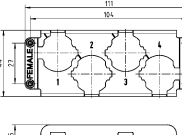
Limiting temperature	-40 ... +125 °C
Tightening torque (screw locking)	4 Nm
Degree of protection acc. to IEC 60529	IP65, IP68, IP69 / IPX9K acc. to ISO 20653
Type rating acc. to UL 50 / UL 50E	4, 4X, 12
Material (hood/housing)	Aluminium die-cast, Corrosion resistant
Surface (hood/housing)	Powder-coated
Colour (hood/housing)	RAL 9005 (jet black)
Material (seal)	NBR
Material (locking)	Stainless steel
Material (accessories)	Metal, Aluminium die-cast, Stainless steel, Aluminium compliant
RoHS	

## Specifications and approvals

UL 1977 ECBT2.E235076  
 CSA-C22.2 No. 182.3 ECBT8.E235076  
 DNV GL


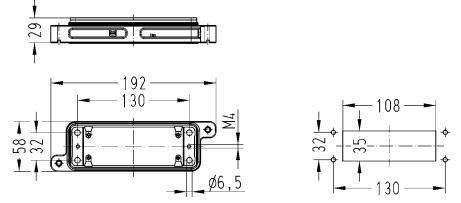

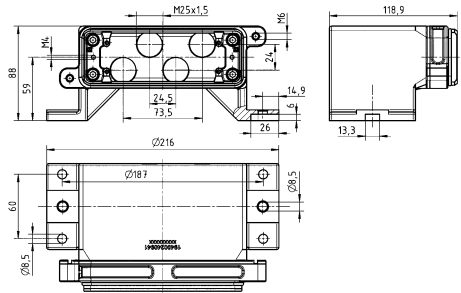
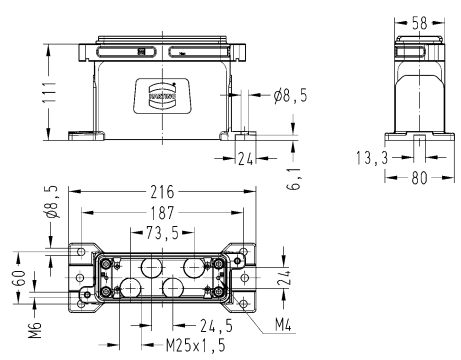
Hoods/housings for harsh outdoor environments  
Screw locking

Han  
HC

Identification	Cable entry	Part number	Drawing (dimensions in mm)
<p>Han® HPR, Hoods, Top entry</p> 	<p>4x M20 4x M25</p>	<p>19 40 024 0473 19 40 024 0474</p>	
<p>Han® HPR, Frame, for male inserts, 4x Han® HC Modular 250</p>  <p>Han® HPR, Frame, for female inserts, 4x Han® HC Modular 250</p> 		<p>09 11 000 9925</p> <p>09 11 000 9942</p>	 <p>Tightening torque Fixing screws M3: 0.5 Nm</p>  <p>Tightening torque Fixing screws M3: 0.5 Nm</p>


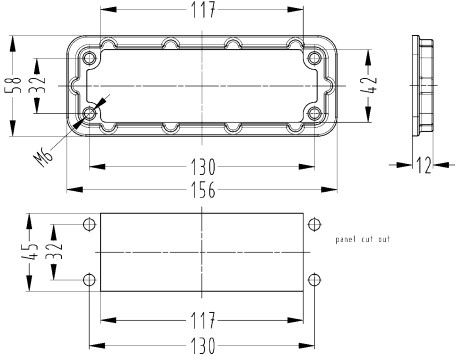

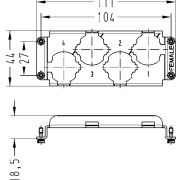

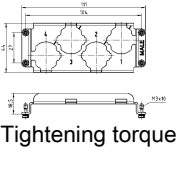
Hoods/housings for harsh outdoor environments  
Screw locking

Han  
HC

Identification	Cable entry	Part number	Drawing (dimensions in mm)
<p>Han<sup>®</sup> HPR, Bulkhead mounted housings</p> 		09 40 024 0311	
<p>Han<sup>®</sup> HPR, Surface mounted housing, Horizontal version, Top entry</p> 	4x M25	19 40 024 0941	
<p>Han<sup>®</sup> HPR, Surface mounted housing, Top entry</p>	4x M25	19 40 024 1242	



Han  
HC


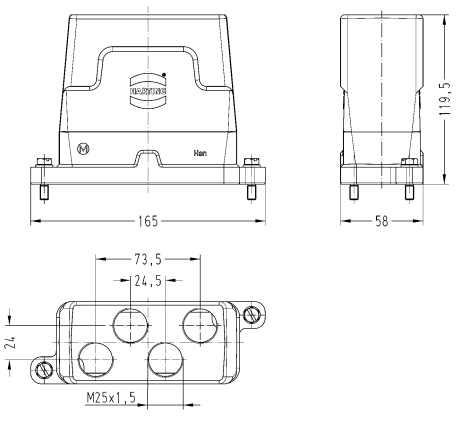

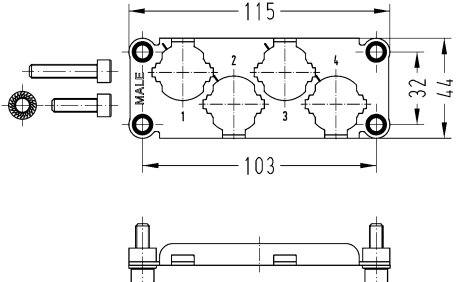
Identification	Cable entry	Part number	Drawing (dimensions in mm)
Mounting frames, Han® HPR, Thread M6 		09 40 000 9955	
Han® HPR, Frame, for female inserts, 4x Han® HC Modular 250 		09 11 000 9926	 <p>Tightening torque Fixing screws M3: 0.5 Nm</p>
Han® HPR, Frame, for male inserts, 4x Han® HC Modular 250 		09 11 000 9941	 <p>Tightening torque Fixing screws M3: 0.5 Nm</p>






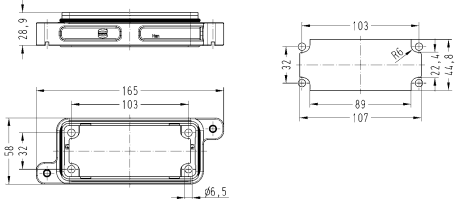

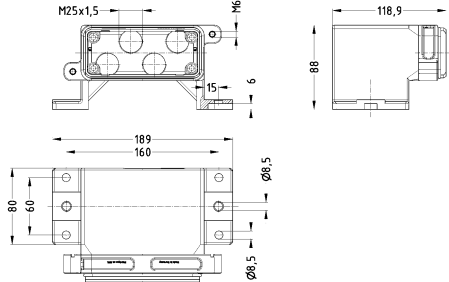


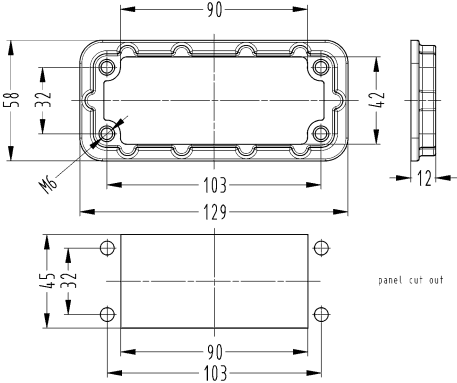
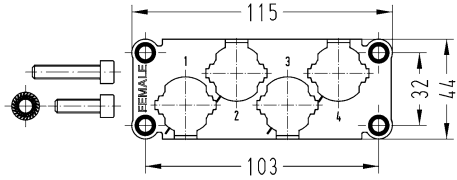
Hoods/housings for harsh outdoor environments  
Screw locking

Han  
HC

Identification	Cable entry	Part number	Drawing (dimensions in mm)
<p>Han® HPR, Hoods, Enlarged, Top entry</p> 	<p>4x M25</p>	<p>19 40 016 0478</p>	
<p>Han® HPR enlarged, Frame, for male inserts, 4x Han® HC Modular 250, Pack contents: 4x cheese-head screw M6 x 20, 4x washer SK S6</p> 		<p>09 11 000 9937</p>	 <p>Tightening torque Fixing screws M6: 10 Nm</p>


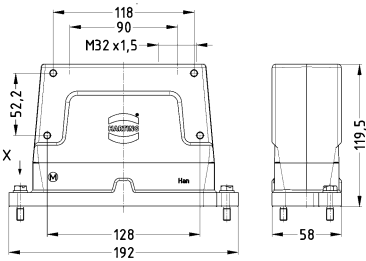

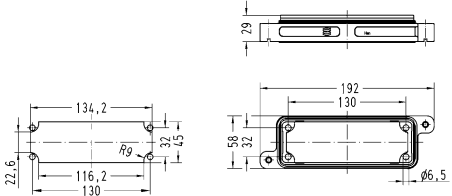

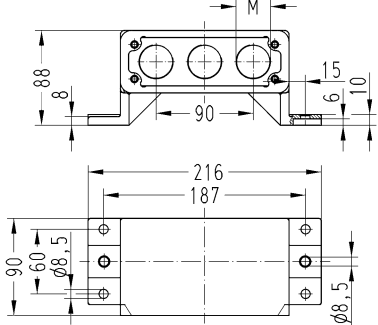

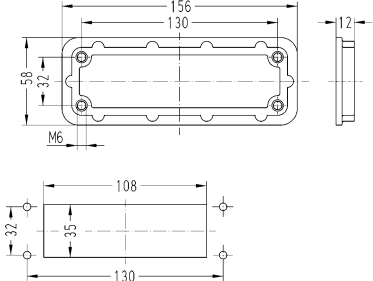
Hoods/housings for harsh outdoor environments  
Screw locking

Han  
HC

Identification	Cable entry	Part number	Drawing (dimensions in mm)
<p>Han® HPR, Bulkhead mounted housings, Enlarged</p> 		09 40 016 0368	
<p>Han® HPR, Surface mounted housing, Horizontal version, Enlarged, Top entry</p> 	4x M25	19 40 016 0978	
<p>Mounting frames, Han® HPR, Thread M6</p>  <p>Han® HPR enlarged, Frame, for female inserts, 4x Han® HC Modular 250, Pack contents: 4x cheese-head screw M6 x 30, 4x washer SK S6</p> 		<p>09 40 000 9956</p> <p>09 11 000 9938</p>	 <p>panel cut out</p>  <p>Tightening torque Fixing screws M6: 10 Nm</p>


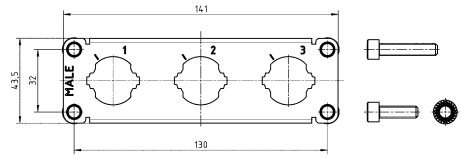

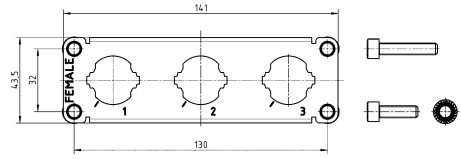
Hoods/housings for harsh outdoor environments  
Screw locking

Han  
HC

Identification	Cable entry	Part number	Drawing (dimensions in mm)
Han® HPR, Hoods, Enlarged, Top entry  	3x M32	19 40 024 0468	
Han® HPR, Bulkhead mounted housings, Enlarged  		09 40 024 0368	
Han® HPR, Surface mounted housing, Horizontal version, Enlarged, Top entry   <p>Bulkhead mounted housing 09 40 024 0368 not included, please order separately</p>	3x M32	19 40 024 0968	
Mounting frames, Han® HPR, Thread M6  		09 40 000 9904	 <p>Panel cut out</p>


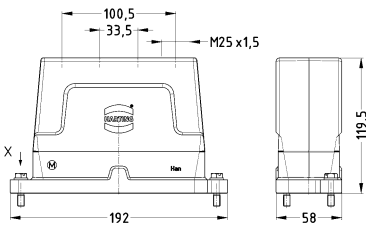

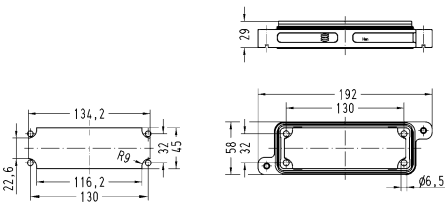

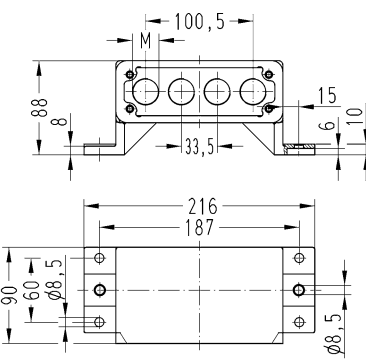

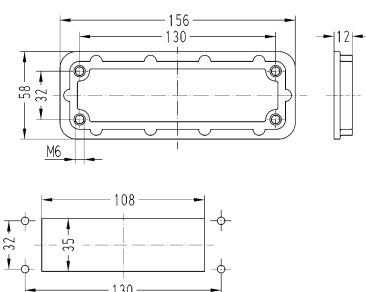


Han  
HC


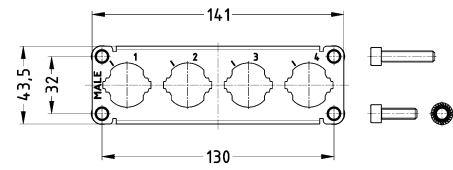

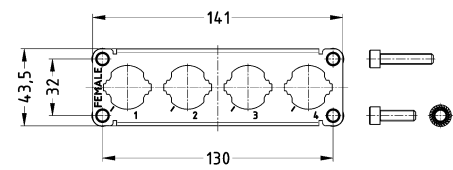

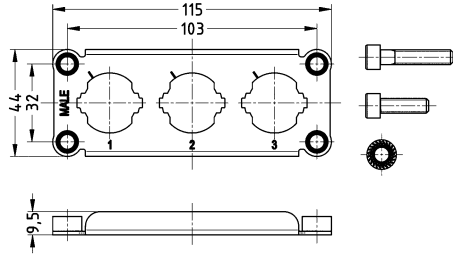

Identification	Cable entry	Part number	Drawing (dimensions in mm)
<p>Han® HPR enlarged, Frame, for male inserts, 3x Han® HC Modular 250, Pack contents: 4x cheese-head screw M6 x 20, 4x cheese-head screw M6 x 25, 4x washer SK S6</p> 		09 11 000 9931	 <p>Tightening torque Fixing screw M6: 10 Nm</p>
<p>Han® HPR enlarged, Frame, for female inserts, 3x Han® HC Modular 250, Pack contents: 4x cheese-head screw M6 x 20, 4x cheese-head screw M6 x 25, 4x washer SK S6</p> 		09 11 000 9932	 <p>Tightening torque Fixing screw M6: 10 Nm</p>

Hoods/housings for harsh outdoor environments  
Screw locking

Han  
HC

Identification	Cable entry	Part number	Drawing (dimensions in mm)
<p>Han<sup>®</sup> HPR, Hoods, Enlarged, Top entry</p> 	4x M25	19 40 024 0478	
<p>Han<sup>®</sup> HPR, Bulkhead mounted housings, Enlarged</p> 		09 40 024 0368	
<p>Han<sup>®</sup> HPR, Surface mounted housing, Horizontal version, Enlarged, Top entry</p>  <p>Bulkhead mounted housing 09 40 024 0368 not included, please order separately</p>	4x M25	19 40 024 0978	
<p>Mounting frames, Han<sup>®</sup> HPR, Thread M6</p> 		09 40 000 9904	 <p>Panel cut out</p>

Han  
HC

Identification	Cable entry	Part number	Drawing (dimensions in mm)
<p>Han® HPR enlarged, Frame, for male inserts, 4x Han® HC Modular 250, Pack contents: 4x cheese-head screw M6 x 20, 4x cheese-head screw M6 x 25, 4x washer SK S6</p> 		09 11 000 9927	 <p>Tightening torque Fixing screws M6: 10 Nm</p>
<p>Han® HPR enlarged, Frame, for female inserts, 4x Han® HC Modular 250, Pack contents: 4x cheese-head screw M6 x 20, 4x cheese-head screw M6 x 25, 4x washer SK S6</p> 		09 11 000 9928	 <p>Tightening torque Fixing screws M6: 10 Nm</p>
<p>Han® HPR enlarged, Frame, for male inserts, 3x Han® HC Modular 250, Pack contents: 4x cheese-head screw M6 x 20, 4x cheese-head screw M6 x 30, 4x washer SK S6</p> 		09 11 000 9943	
<p>Han® HPR enlarged, Frame, for female inserts, 3x Han® HC Modular 250, Pack contents: 4x cheese-head screw M6 x 20, 4x cheese-head screw M6 x 30, 4x washer SK S6</p> 		09 11 000 9944	

## Features

- Contacts for fine stranded wire
- Low mating forces
- Suitable for HPR® hoods and housings
- UL approvals for axial-screw and screw termination

## Technical characteristics

Rated current	350 A
Rated voltage	2000 V
Rated impulse voltage	12 kV
Pollution degree	3
Insulation resistance	≥10 <sup>10</sup> Ω
Contact resistance	≤0.3 mΩ, ≤0.2 mΩ
Limiting temperature	-40 ... +125 °C
Mating cycles	≥500
Wire outer diameter	≤22 mm, ≤19.5 mm
Material (insert)	Polycarbonate, Polyamide
Colour (insert)	RAL 7032 (pebble grey)
Material (contacts)	Copper alloy
Material flammability class acc. to UL 94	V-0
RoHS	compliant, compliant with exemption
RoHS exemptions	<b>6c:</b> Copper alloy containing up to 4 % lead by weight, <b>6a:</b> Lead as an alloying element in steel for machining purposes and in galvanised steel containing up to 0.35 % lead by weight

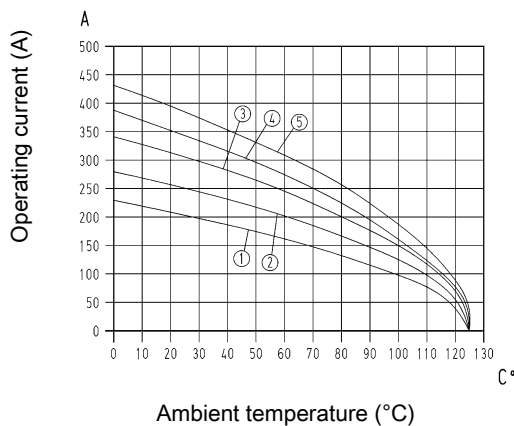
## Derating

### Current carrying capacity

The current carrying capacity of the connectors is limited by the thermal load capability of the contact element material including the connections and the insulating parts. The derating curve is therefore valid for currents which flow constantly (non-intermittent) through each contact element of the connector evenly, without exceeding the allowed maximum temperature.

Measuring and testing techniques acc. to IEC 60512-5-2

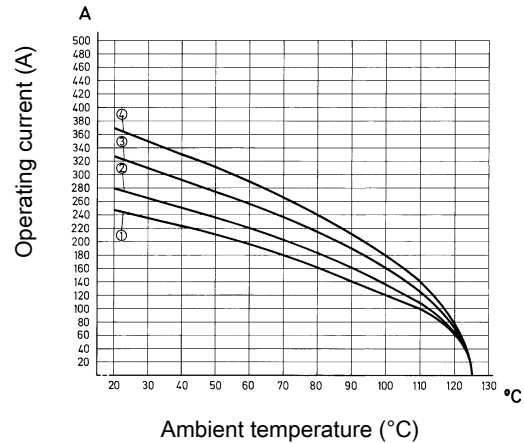
Crimp termination



- ① Conductor cross-section 35 mm<sup>2</sup>
  - ② Conductor cross-section 50 mm<sup>2</sup>
  - ③ Conductor cross-section 70 mm<sup>2</sup>
  - ④ Conductor cross-section 95 mm<sup>2</sup>
  - ⑤ Conductor cross-section 120 mm<sup>2</sup>
- Three contacts in Han® 24 HPR

## Derating

Axial screw termination  
Screw termination



- ① Conductor cross-section 50 mm<sup>2</sup>
  - ② Conductor cross-section 70 mm<sup>2</sup>
  - ③ Conductor cross-section 95 mm<sup>2</sup>
  - ④ Conductor cross-section 120 mm<sup>2</sup>
- Three contacts in Han® 24 HPR

## Specifications and approvals

EN 60664-1  
IEC 61984  
DNV GL  
UL 1977 ECBT2.E235076

## Details

Electrical data up to 350 A 4000 V 18 kV 3 by using a hexagonal adapter and the HARTING cable gland, in order to realise the clearance and creepage distance.

Contact resistance crimp contact: ≤ 0.3 mOhm

Contact resistance screw contact: ≤ 0.2 mOhm

Contact resistance axial screw contact: ≤ 0.2 mOhm

### Remarks on the axial screw technique

The wire gauges mentioned in the catalogue refer to geometric wire gauges of cables.

**Hex key (A/F 5)** see chapter 90

For more technical details (i.e. number of crimping operations or crimping position) see eCatalogue


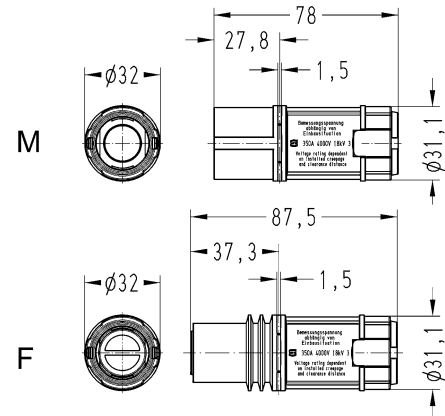

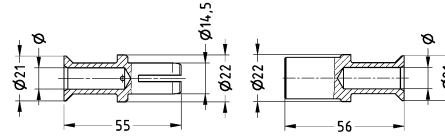
**Crimping tools** see chapter 90

### Remarks on the crimp technique

The wire gauges mentioned in the catalogue refer to geometric wire gauges of cables.

350 A 2.000 V 12 kV 3

Han  
HC

Identification	Conductor cross-section (mm <sup>2</sup> )	Part number		Drawing (dimensions in mm)																					
		Male	Female																						
Han® HC Modular, 350, Crimp termination  Please order crimp contacts separately.	25 ... 120	09 11 001 3001	09 11 001 3101	 max. wire outer diameter 22 mm																					
TC 350, Crimp contact, Contact surface: Silver plated 	25 35 50 70 95 120	09 11 000 6139 09 11 000 6140 09 11 000 6141 09 11 000 6142 09 11 000 6143 09 11 000 6144	09 11 000 6239 09 11 000 6240 09 11 000 6241 09 11 000 6242 09 11 000 6243 09 11 000 6244	 <table border="1" data-bbox="965 1310 1420 1512"> <thead> <tr> <th>Wire gauge</th> <th>∅</th> <th>Stripping length</th> </tr> </thead> <tbody> <tr> <td>25 mm<sup>2</sup></td> <td>7</td> <td>26 mm</td> </tr> <tr> <td>35 mm<sup>2</sup></td> <td>8.2</td> <td>26 mm</td> </tr> <tr> <td>50 mm<sup>2</sup></td> <td>10</td> <td>28 mm</td> </tr> <tr> <td>70 mm<sup>2</sup></td> <td>11.5</td> <td>28 mm</td> </tr> <tr> <td>95 mm<sup>2</sup></td> <td>13.5</td> <td>30 mm</td> </tr> <tr> <td>120 mm<sup>2</sup></td> <td>15.5</td> <td>24 mm</td> </tr> </tbody> </table> for stranded wire according to IEC 60228 Class 5 Crimp zone acc. to DIN 46235	Wire gauge	∅	Stripping length	25 mm <sup>2</sup>	7	26 mm	35 mm <sup>2</sup>	8.2	26 mm	50 mm <sup>2</sup>	10	28 mm	70 mm <sup>2</sup>	11.5	28 mm	95 mm <sup>2</sup>	13.5	30 mm	120 mm <sup>2</sup>	15.5	24 mm
Wire gauge	∅	Stripping length																							
25 mm <sup>2</sup>	7	26 mm																							
35 mm <sup>2</sup>	8.2	26 mm																							
50 mm <sup>2</sup>	10	28 mm																							
70 mm <sup>2</sup>	11.5	28 mm																							
95 mm <sup>2</sup>	13.5	30 mm																							
120 mm <sup>2</sup>	15.5	24 mm																							




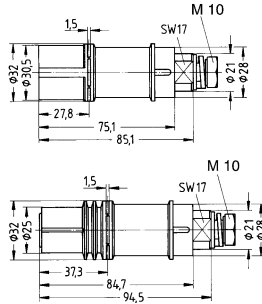

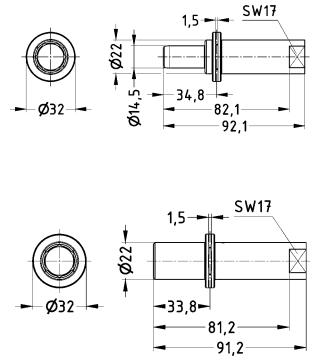
Identification	Conductor cross-section (mm <sup>2</sup> )	Part number		Drawing (dimensions in mm)
		Male	Female	
TC 350, Crimp contact, PE contact, Contact surface: Silver plated	35	09 11 000 6172	09 11 000 6272	



Han  
HC


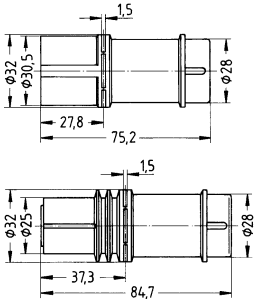

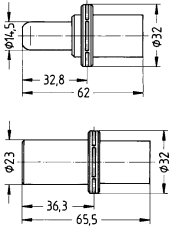
350 A 2.000 V 12 kV 3

Han  
HC

Identification	Conductor cross-section (mm <sup>2</sup> )	Part number		Drawing (dimensions in mm)
		Male	Female	
<p>Han® HC Modular, 350, Screw termination, Contact surface: Silver plated</p> 	120	09 11 001 2655	09 11 001 2755	 <p>Tightening torque 14 Nm Cable shoe ≤ 120 mm<sup>2</sup> Please ensure to hold up the contact with a wrench size 17 to apply the tightening torque</p>
<p>TC 350, Screw contact, PE contact, Contact surface: Silver plated</p> 	120	09 11 000 6158	09 11 000 6258	 <p>Tightening torque 14 Nm Cable shoe ≤ 120 mm<sup>2</sup> Please ensure to hold up the contact with a wrench size 17 to apply the tightening torque</p>

350 A 2.000 V 12 kV 3

Han  
HC

Identification	Conductor cross-section (mm <sup>2</sup> )	Part number		Drawing (dimensions in mm)												
		Male	Female													
Han® HC Modular, 350, Axial screw termination, Contact surface: Silver plated 	35 ... 70 95 ... 120	09 11 001 2651 09 11 001 2652	09 11 001 2751 09 11 001 2752	 <p><b>Tightening torque</b></p> <table border="1"> <tr> <td>mm<sup>2</sup></td> <td>35</td> <td>50</td> <td>70</td> <td>95</td> <td>120</td> </tr> <tr> <td>Nm</td> <td>8</td> <td>10</td> <td>12</td> <td>14</td> <td>16</td> </tr> </table> <p>max. wire outer diameter 19.5 mm Stripping length 19...20 mm</p>	mm <sup>2</sup>	35	50	70	95	120	Nm	8	10	12	14	16
mm <sup>2</sup>	35	50	70	95	120											
Nm	8	10	12	14	16											
TC 350, Axial screw contact, PE contact, Contact surface: Silver plated 	35 ... 70	09 11 000 6156	09 11 000 6256	 <p><b>Tightening torque</b></p> <table border="1"> <tr> <td>mm<sup>2</sup></td> <td>35</td> <td>50</td> <td>70</td> </tr> <tr> <td>Nm</td> <td>8</td> <td>10</td> <td>12</td> </tr> </table> <p>Stripping length 19...20 mm</p>	mm <sup>2</sup>	35	50	70	Nm	8	10	12				
mm <sup>2</sup>	35	50	70													
Nm	8	10	12													

## Features

- Hoods/housings for harsh outdoor environments
- Metal hoods and housings with excellent corrosion resistance
- Corrosion resistance ASTM B117-09 (500 h)
- Excellent EMC characteristics
- Screw locking M6
- Field of application: for external electrical interconnections in vehicles, in highly demanding environments and wet areas, as well as for sensitive interconnections that have to be shielded
- Distinguishing feature: colour-coded black, internal seal

## Technical characteristics


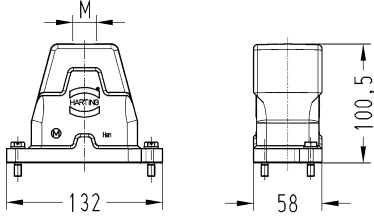

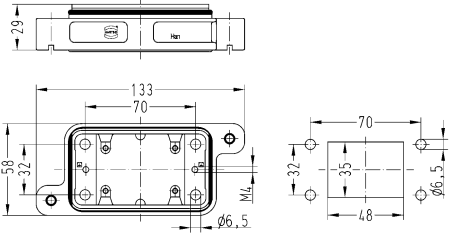

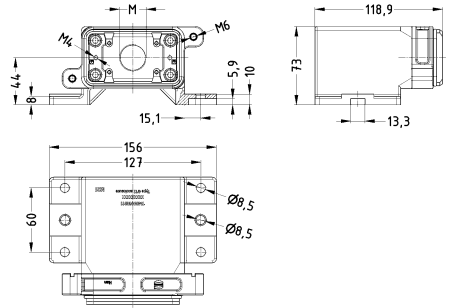

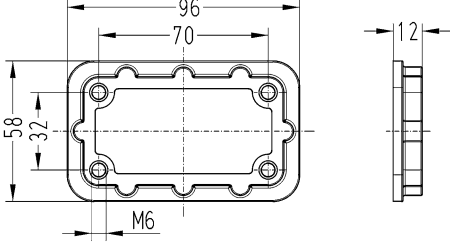
Limiting temperature	-40 ... +125 °C
Tightening torque (screw locking)	4 Nm
Degree of protection acc. to IEC 60529	IP65, IP68, IP69 / IPX9K acc. to ISO 20653
Type rating acc. to UL 50 / UL 50E	4, 4X, 12
Material (hood/housing)	Aluminium die-cast, Corrosion resistant
Surface (hood/housing)	Powder-coated
Colour (hood/housing)	RAL 9005 (jet black)
Material (seal)	NBR
Material (locking)	Stainless steel
Material (accessories)	Aluminium die-cast, Metal compliant, compliant with exemption
RoHS	
RoHS exemptions	<b>6c:</b> Copper alloy containing up to 4 % lead by weight

## Specifications and approvals

UL 1977 ECBT2.E235076  
 CSA-C22.2 No. 182.3 ECBT8.E235076  
 DNV GL


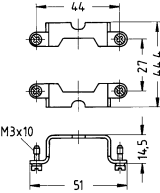

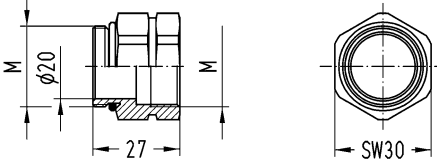
Hoods/housings for harsh outdoor environments  
Screw locking

Han  
HC

Identification	Cable entry	Size	Part number	Drawing (dimensions in mm)
Han® HPR, Hoods, Top entry 	1x M25 1x M32		19 40 006 0411 19 40 006 0412	
Han® HPR, Bulkhead mounted housings 			09 40 006 0311	
Han® HPR, Surface mounted housing, Horizontal version, Top entry 	1x M25 1x M40		19 40 006 0911 19 40 006 0913	
Mounting frames, Han® HPR, Thread M6 			09 40 000 9901	


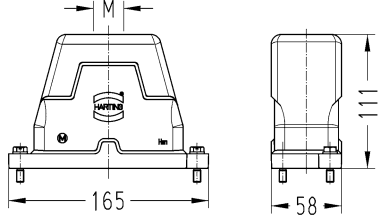

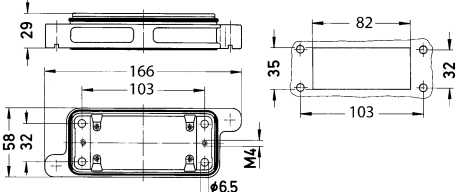


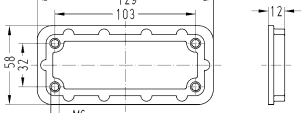
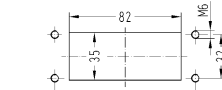
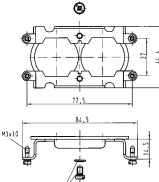


Han  
HC

Identification	Cable entry	Size	Part number	Drawing (dimensions in mm)
<p>Han® HPR, Frame, for male inserts, for female inserts, 1x Han® HC Modular 350</p> 			09 11 000 9951	 <p>Tightening torque Fixing screws M3: 0.5 Nm</p>
<p>Hexagonal adapter, With O-ring</p>  <p>to reach the electrical data up to 4000 V 18 kV 3</p>		M25 M32	19 36 000 5134 19 36 000 5135	


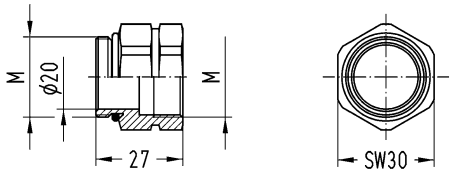
Hoods/housings for harsh outdoor environments  
Screw locking

Han  
HC

Identification	Cable entry	Size	Part number	Drawing (dimensions in mm)
Han® HPR, Hoods, Top entry  	2x M25		19 40 016 0431	
Han® HPR, Bulkhead mounted housings  			09 40 016 0311	
Mounting frames, Han® HPR, Thread M6    Han® HPR, Frame, for male inserts, for female inserts, 2x Han® HC Modular 350  			09 40 000 9903    09 11 000 9952	 Panel cut out    Tightening torque Fixing screws M3: 0.5 Nm Tightening torque Fixing screws M4: 1.5 Nm



Han  
HC


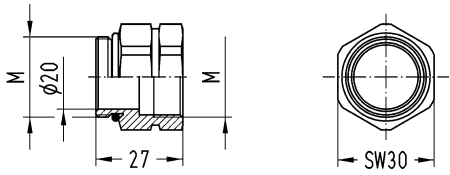
Identification	Cable entry	Size	Part number	Drawing (dimensions in mm)
<p>Hexagonal adapter, With O-ring</p>  <p>to reach the electrical data up to 4000 V 18 kV 3</p>		M25	19 36 000 5134	






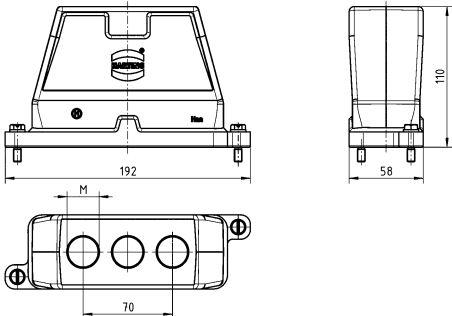

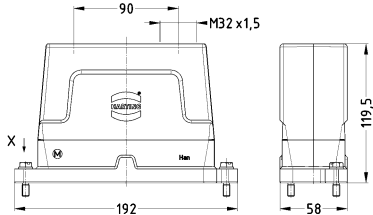

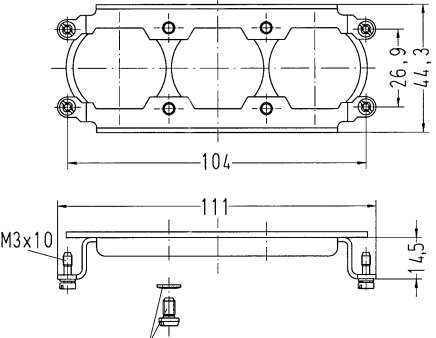


Han  
HC

Identification	Cable entry	Size	Part number	Drawing (dimensions in mm)
<p>Hexagonal adapter, With O-ring</p>  <p>to reach the electrical data up to 4000 V 18 kV 3</p>		M32	19 36 000 5135	


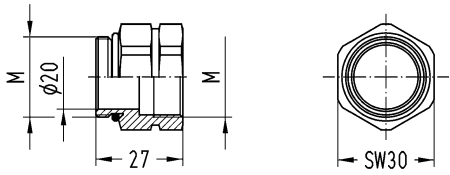
Hoods/housings for harsh outdoor environments  
Screw locking

Han  
HC

Identification	Cable entry	Size	Part number	Drawing (dimensions in mm)
Han® HPR, Hoods, Top entry  	3x M25		19 40 024 0461	
Han® HPR, Hoods, Top entry, High construction  	3x M32		19 40 024 0467	
Han® HPR, Frame, for male inserts, for female inserts, 3x Han® HC Modular 350  			09 11 000 9963	 <p data-bbox="995 1720 1449 1776">Tightening torque Fixing screws M3: 0.5 Nm Tightening torque Fixing screws M4: 1.5 Nm</p>


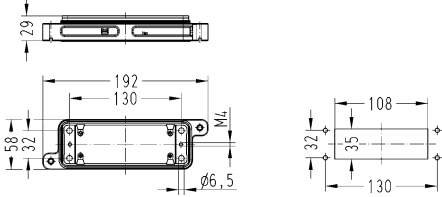

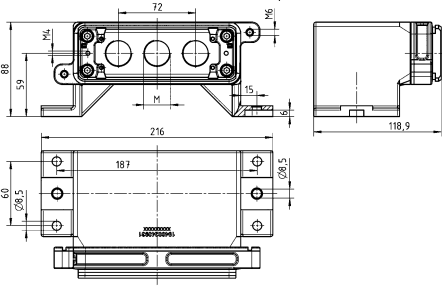

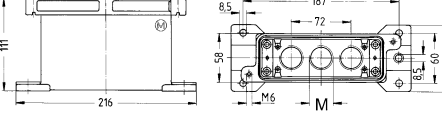

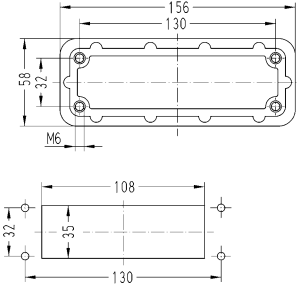


Han  
HC

Identification	Cable entry	Size	Part number	Drawing (dimensions in mm)
<p>Hexagonal adapter, With O-ring</p>  <p>to reach the electrical data up to 4000 V 18 kV 3</p>		<p>M25 M32</p>	<p>19 36 000 5134 19 36 000 5135</p>	


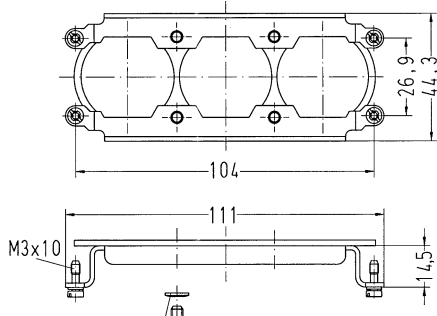

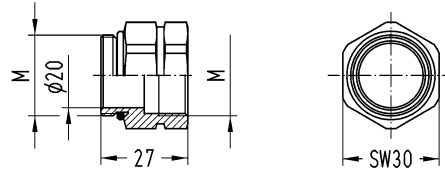
Hoods/housings for harsh outdoor environments  
Screw locking

Han  
HC

Identification	Cable entry	Size	Part number	Drawing (dimensions in mm)
<p>Han<sup>®</sup> HPR, Bulkhead mounted housings</p> 			09 40 024 0311	
<p>Han<sup>®</sup> HPR, Surface mounted housing, Horizontal version, Top entry</p> 	3x M25		19 40 024 0931	
<p>Han<sup>®</sup> HPR, Surface mounted housing, Top entry</p> 	3x M25		19 40 024 1231	
<p>Mounting frames, Han<sup>®</sup> HPR, Thread M6</p> 			09 40 000 9904	 <p>Panel cut out</p>


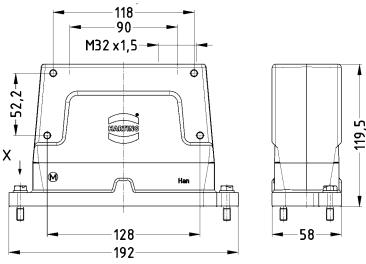

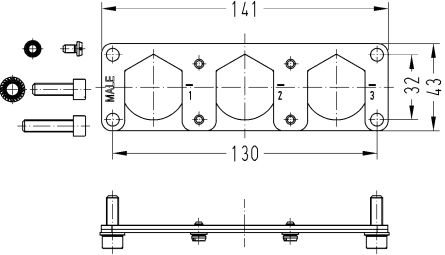


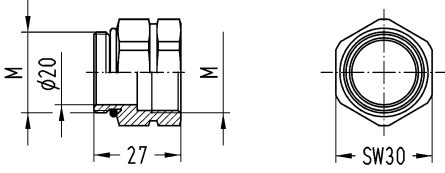


Han  
HC

Identification	Cable entry	Size	Part number	Drawing (dimensions in mm)
<p>Han® HPR, Frame, for male inserts, for female inserts, 3x Han® HC Modular 350</p> 			09 11 000 9963	 <p>Tightening torque Fixing screws M3: 0.5 Nm Tightening torque Fixing screws M4: 1.5 Nm</p>
<p>Hexagonal adapter, With O-ring</p>  <p>to reach the electrical data up to 4000 V 18 kV 3</p>		M25	19 36 000 5134	


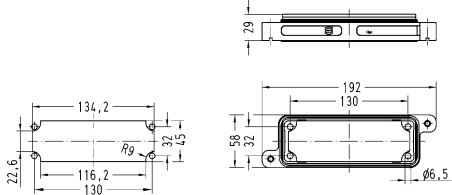

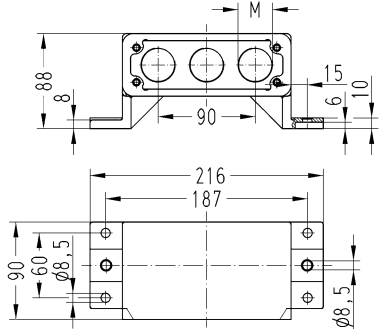


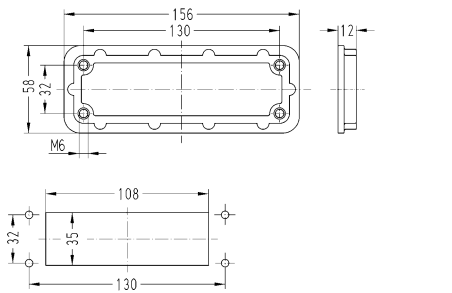
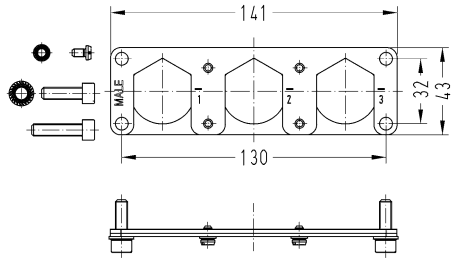
Hoods/housings for harsh outdoor environments  
Screw locking

Han  
HC

Identification	Cable entry	Size	Part number	Drawing (dimensions in mm)
<p>Han® HPR, Hoods, Enlarged, Top entry</p> 	3x M32		19 40 024 0468	
<p>Han® HPR enlarged, Frame, for male inserts, 3x Han® HC Modular 350, Pack contents: 4x M4 screw, 4x washer SK S4, 4x washer SK S6, 4x cheese-head screw M6 x 20, 4x cheese-head screw M6 x 25</p> 			09 11 000 9957	 <p>Tightening torque Fixing screws M6: 10 Nm Tightening torque Screws M4: 1.5 Nm</p>
<p>Han® HPR enlarged, Frame, for female inserts, 3x Han® HC Modular 350, Pack contents: 4x M4 screw, 4x washer SK S4, 4x washer SK S6, 4x cheese-head screw M6 x 20, 4x cheese-head screw M6 x 25</p>  <p>Hexagonal adapter, With O-ring</p>  <p>to reach the electrical data up to 4000 V 18 kV 3</p>		M32	19 36 000 5135	 <p>Tightening torque Fixing screws M6: 10 Nm Tightening torque Screws M4: 1.5 Nm</p>


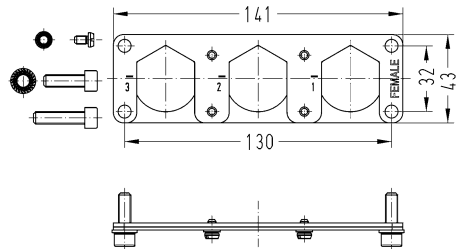
Hoods/housings for harsh outdoor environments  
Screw locking

Han  
HC

Identification	Cable entry	Part number	Drawing (dimensions in mm)
<p>Han® HPR, Bulkhead mounted housings, Enlarged</p> 		09 40 024 0368	
<p>Han® HPR, Surface mounted housing, Horizontal version, Enlarged, Top entry</p>  <p>Bulkhead mounted housing 09 40 024 0368 not included, please order separately</p>	3x M32	19 40 024 0968	
<p>Mounting frames, Han® HPR, Thread M6</p>  <p>Han® HPR enlarged, Frame, for male inserts, 3x Han® HC Modular 350, Pack contents: 4x M4 screw, 4x washer SK S4, 4x washer SK S6, 4x cheese-head screw M6 x 20, 4x cheese-head screw M6 x 25</p> 		<p>09 40 000 9904</p> <p>09 11 000 9957</p>	 <p>Panel cut out</p>  <p>Tightening torque Fixing screws M6: 10 Nm Tightening torque Screws M4: 1.5 Nm</p>




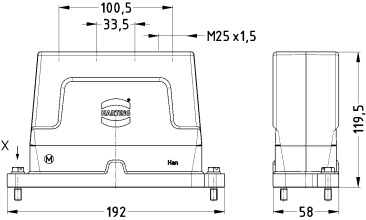

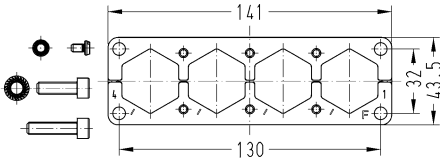

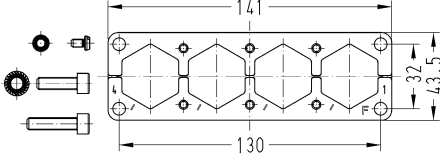

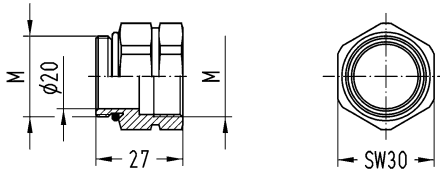


Identification	Cable entry	Part number	Drawing (dimensions in mm)
<p>Han® HPR enlarged, Frame, for female inserts, 3x Han® HC Modular 350,</p> <p>Pack contents: 4x M4 screw, 4x washer SK S4, 4x washer SK S6, 4x cheese-head screw M6 x 20, 4x cheese-head screw M6 x 25</p> 		<p>09 11 000 9958</p>	 <p>Tightening torque Fixing screws M6: 10 Nm Tightening torque Screws M4: 1.5 Nm</p>

Han  
HC


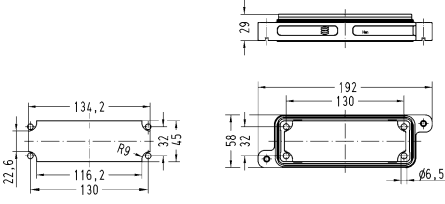

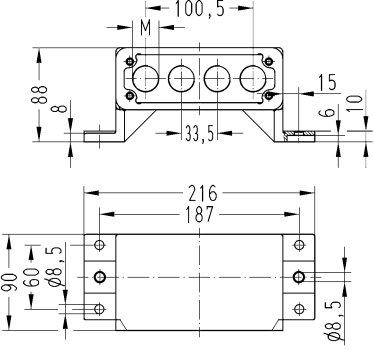

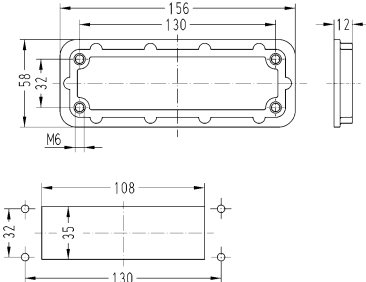
Hoods/housings for harsh outdoor environments  
Screw locking

Han  
HC


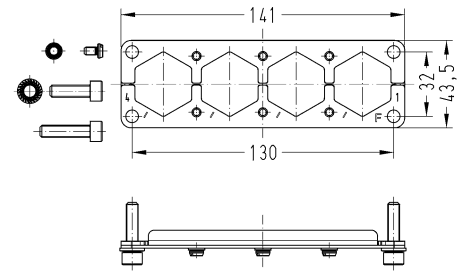

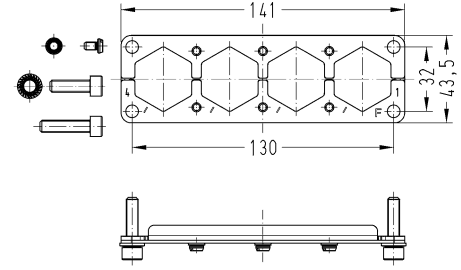
Identification	Cable entry	Size	Part number	Drawing (dimensions in mm)
<p>Han® HPR, Hoods, Enlarged, Top entry</p> 	4x M25		19 40 024 0478	
<p>Han® HPR enlarged, Frame, for male inserts, 4x Han® HC Modular 350, Pack contents: 4x M4 screw, 4x washer SK S4, 4x washer SK S6, 4x cheese-head screw M6 x 20, 4x cheese-head screw M6 x 25, 4x heat shrink tube</p> 			09 11 000 9964	 <p>Tightening torque Fixing screws M6: 10 Nm Tightening torque Screws M4: 1.5 Nm</p>
<p>Han® HPR enlarged, Frame, for female inserts, 4x Han® HC Modular 350, Pack contents: 4x M4 screw, 4x washer SK S4, 4x washer SK S6, 4x cheese-head screw M6 x 20, 4x cheese-head screw M6 x 25, 4x heat shrink tube</p> 			09 11 000 9965	 <p>Tightening torque Fixing screws M6: 10 Nm Tightening torque Screws M4: 1.5 Nm</p>
<p>Hexagonal adapter, With O-ring</p>  <p>to reach the electrical data up to 4000 V 18 kV 3</p>		M25	19 36 000 5134	

Hoods/housings for harsh outdoor environments  
Screw locking

Han  
HC

Identification	Cable entry	Part number	Drawing (dimensions in mm)
<p>Han<sup>®</sup> HPR, Bulkhead mounted housings, Enlarged</p> 		09 40 024 0368	
<p>Han<sup>®</sup> HPR, Surface mounted housing, Horizontal version, Enlarged, Top entry</p>  <p>Bulkhead mounted housing 09 40 024 0368 not included, please order separately</p>	4x M25	19 40 024 0978	
<p>Mounting frames, Han<sup>®</sup> HPR, Thread M6</p> 		09 40 000 9904	 <p>Panel cut out</p>

Han  
HC

Identification	Cable entry	Part number	Drawing (dimensions in mm)
<p>Han® HPR enlarged, Frame, for male inserts, 4x Han® HC Modular 350,</p> <p>Pack contents: 4x M4 screw, 4x washer SK S4, 4x washer SK S6, 4x cheese-head screw M6 x 20, 4x cheese-head screw M6 x 25, 4x heat shrink tube</p> 		09 11 000 9964	 <p>Tightening torque Fixing screws M6: 10 Nm Tightening torque Screws M4: 1.5 Nm</p>
<p>Han® HPR enlarged, Frame, for female inserts, 4x Han® HC Modular 350,</p> <p>Pack contents: 4x M4 screw, 4x washer SK S4, 4x washer SK S6, 4x cheese-head screw M6 x 20, 4x cheese-head screw M6 x 25, 4x heat shrink tube</p> 		09 11 000 9965	 <p>Tightening torque Fixing screws M6: 10 Nm Tightening torque Screws M4: 1.5 Nm</p>

## Features

- Hoods/housings for rough environments
- Metal hoods and housings with excellent corrosion resistance
- Corrosion resistance ASTM B117-09 (500 h)
- Locking lever made of high-quality stainless steel

## Technical characteristics


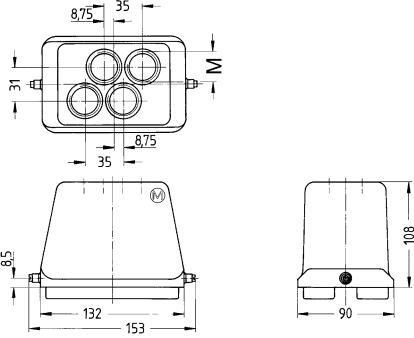

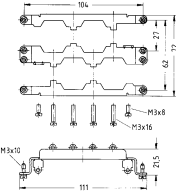
Limiting temperature	-40 ... +125 °C
Degree of protection acc. to IEC 60529	IP65
Type rating acc. to UL 50 / UL 50E	4, 4X, 12
Material (hood/housing)	Aluminium die-cast
Surface (hood/housing)	Powder-coated
Colour (hood/housing)	RAL 9005 (jet black)
Material (seal)	FPM
Material (locking)	Stainless steel
Material (accessories)	Metal
RoHS	compliant

## Specifications and approvals

UL 1977 ECBT2.E235076  
 CSA-C22.2 No. 182.3 ECBT8.E235076  
 DNV GL


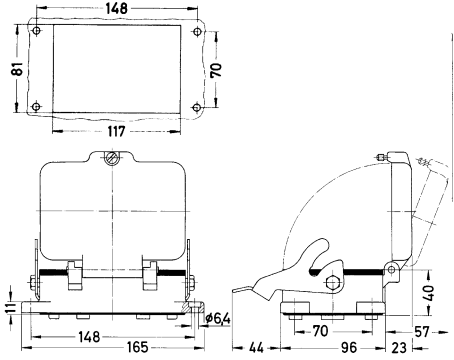

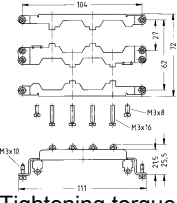
Hoods/housings for rough environments  
Single locking lever

Han  
HC

Identification	Cable entry	Part number High construction	Drawing (dimensions in mm)
<p>Han® M, Hoods, Top entry</p> 	<p>4x M25</p>	<p>19 37 048 0401</p>	
<p>Han® M, Frame, for male inserts, for female inserts, 4x HC 350 contacts + 2x Han® Q 5/0 in a hood</p> 		<p>09 11 000 9954</p>	 <p>Tightening torque Fixing screws M3: 0.5 Nm Tightening torque Fixing screws Han® Q 5/0: 0.25 Nm Tightening torque Cross-tying screws 1.5 Nm</p>

Hoods/housings for rough environments  
Single locking lever

Han  
HC

Identification	Part number Low construction	Drawing (dimensions in mm)
<p>Han® M, Bulkhead mounted housings, With thermo-plastic cover</p> 	<p>09 37 048 0301</p>	
<p>Han® M, Frame, for male inserts, for female inserts, 4x HC 350 contacts + 2x Han® Q 5/0 in a bulkhead mounted housing</p> 	<p>09 11 000 9955</p>	 <p>Tightening torque Fixing screws M3: 0.5 Nm Tightening torque Fixing screws Han® Q 5/0: 0.25 Nm Tightening torque Cross-tying screws 1.5 Nm</p>

## Features

- Contacts for fine stranded wire
- Low mating forces
- Suitable for HPR® hoods and housings
- UL approvals for axial-screw and screw termination

## Technical characteristics

Rated current	650 A
Rated voltage	4000 V
Rated impulse voltage	18 kV
Pollution degree	3
Insulation resistance	≥10 <sup>10</sup> Ω
Contact resistance	≤0.3 mΩ, ≤0.2 mΩ
Limiting temperature	-40 ... +125 °C
Mating cycles	≥500
Wire outer diameter	≤27 mm, ≤32 mm @ 240 mm <sup>2</sup> , ≤26.5 mm
Material (insert)	Polycarbonate, Polyamide
Colour (insert)	RAL 7032 (pebble grey)
Material (contacts)	Copper alloy
Material flammability class acc. to UL 94	V-0
RoHS	compliant, compliant with exemption
RoHS exemptions	<b>6c:</b> Copper alloy containing up to 4 % lead by weight, <b>6a:</b> Lead as an alloying element in steel for machining purposes and in galvanised steel containing up to 0.35 % lead by weight

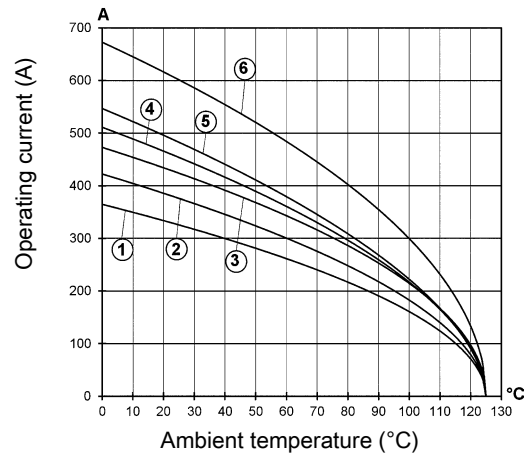
## Derating

### Current carrying capacity

The current carrying capacity of the connectors is limited by the thermal load capability of the contact element material including the connections and the insulating parts. The derating curve is therefore valid for currents which flow constantly (non-intermittent) through each contact element of the connector evenly, without exceeding the allowed maximum temperature.

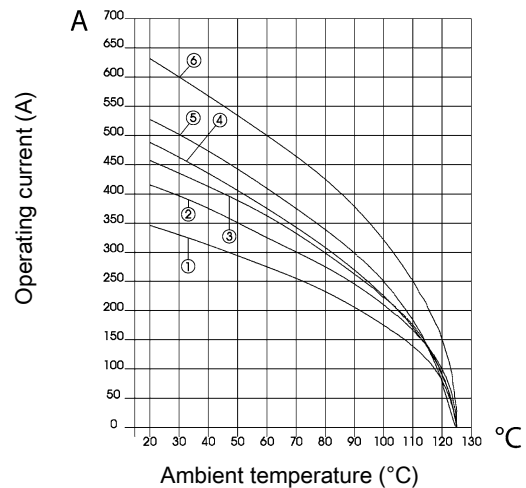
Measuring and testing techniques acc. to IEC 60512-5-2

#### Crimp termination



- ① Conductor cross-section 70 mm<sup>2</sup>
- ② Conductor cross-section 95 mm<sup>2</sup>
- ③ Conductor cross-section 120 mm<sup>2</sup>
- ④ Conductor cross-section 150 mm<sup>2</sup>
- ⑤ Conductor cross-section 185 mm<sup>2</sup>
- ⑥ Conductor cross-section 240 mm<sup>2</sup>

#### Screw termination / axial screw termination



- ① Conductor cross-section 70 mm<sup>2</sup>
- ② Conductor cross-section 95 mm<sup>2</sup>
- ③ Conductor cross-section 120 mm<sup>2</sup>
- ④ Conductor cross-section 150 mm<sup>2</sup>
- ⑤ Conductor cross-section 185 mm<sup>2</sup>
- ⑥ Conductor cross-section 240 mm<sup>2</sup>



## Specifications and approvals

EN 60664-1  
IEC 61984  
DNV GL  
UL 1977 ECBT2.E235076

## Details

Contact resistance crimp contact:  $\leq 0.3$  mOhm  
Contact resistance screw contact:  $\leq 0.2$  mOhm  
Contact resistance axial screw contact:  $\leq 0.2$  mOhm

## Details

### Remarks on the axial screw technique

The wire gauges mentioned in the catalogue refer to geometric wire gauges of cables.

**Hex key (A/F 8)** see chapter 90

For more technical details (i.e. number of crimping operations or crimping position) see eCatalogue


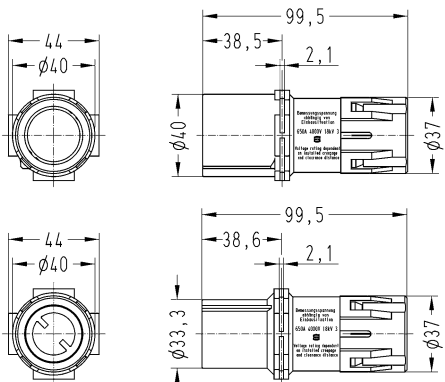

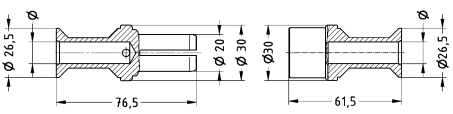
**Crimping tools** see chapter 90

### Remarks on the crimp technique

The wire gauges mentioned in the catalogue refer to geometric wire gauges of cables.


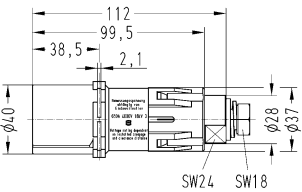
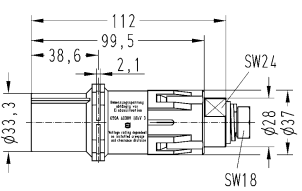

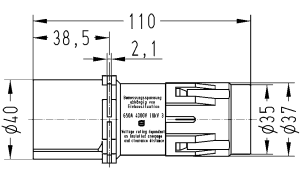
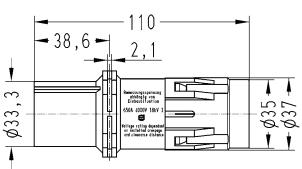
650 A 4.000 V 18 kV 3

Han  
HC

Identification	Conductor cross-section (mm <sup>2</sup> )	Part number		Drawing (dimensions in mm)																					
		Male	Female																						
<p>Han® HC Modular, 650, Crimp termination</p>  <p>Please order crimp contacts separately.</p>	70 ... 240	09 11 001 3012	09 11 001 3112	 <p>max. wire outer diameter 70...185 mm<sup>2</sup>: 27 mm max. wire outer diameter 240 mm<sup>2</sup>: 32 mm</p>																					
<p>TC 650, Crimp contact, Contact surface: Silver plated</p> 	70 95 120 150 185 240	09 11 000 6161 09 11 000 6162 09 11 000 6163 09 11 000 6164 09 11 000 6165 09 11 000 6168	09 11 000 6261 09 11 000 6262 09 11 000 6263 09 11 000 6264 09 11 000 6265 09 11 000 6268	 <table border="1" data-bbox="965 1310 1420 1534"> <thead> <tr> <th>Conductor cross-section</th> <th>∅</th> <th>Stripping length</th> </tr> </thead> <tbody> <tr> <td>70 mm<sup>2</sup></td> <td>11.5</td> <td>42 mm</td> </tr> <tr> <td>95 mm<sup>2</sup></td> <td>13.5</td> <td>42 mm</td> </tr> <tr> <td>120 mm<sup>2</sup></td> <td>15.5</td> <td>42 mm</td> </tr> <tr> <td>150 mm<sup>2</sup></td> <td>17</td> <td>42 mm</td> </tr> <tr> <td>185 mm<sup>2</sup></td> <td>19</td> <td>42 mm</td> </tr> <tr> <td>240 mm<sup>2</sup></td> <td>21.5</td> <td>46 mm</td> </tr> </tbody> </table> <p>for stranded wire according to IEC 60228 Class 5</p> <p>Crimp zone acc. to DIN 46235</p>	Conductor cross-section	∅	Stripping length	70 mm <sup>2</sup>	11.5	42 mm	95 mm <sup>2</sup>	13.5	42 mm	120 mm <sup>2</sup>	15.5	42 mm	150 mm <sup>2</sup>	17	42 mm	185 mm <sup>2</sup>	19	42 mm	240 mm <sup>2</sup>	21.5	46 mm
Conductor cross-section	∅	Stripping length																							
70 mm <sup>2</sup>	11.5	42 mm																							
95 mm <sup>2</sup>	13.5	42 mm																							
120 mm <sup>2</sup>	15.5	42 mm																							
150 mm <sup>2</sup>	17	42 mm																							
185 mm <sup>2</sup>	19	42 mm																							
240 mm <sup>2</sup>	21.5	46 mm																							

650 A 4.000 V 18 kV 3

Han  
HC

Identification	Conductor cross-section (mm <sup>2</sup> )	Part number		Drawing (dimensions in mm)												
		Male	Female													
Han® HC Modular, 650, Screw termination, Contact surface: Silver plated 	240	09 11 001 2675	09 11 001 2775	  <p>Tightening torque 16 ... 18 Nm Cable shoe ≤ 240 mm<sup>2</sup> Please ensure to hold up the contact with a wrench size 24 to apply the tightening torque</p>												
Han® HC Modular, 650, Axial screw termination, Contact surface: Silver plated 	70 ... 120 150 ... 185	09 11 001 2671 09 11 001 2672	09 11 001 2771 09 11 001 2772	  <p>Tightening torque</p> <table border="1"> <tr> <td>mm<sup>2</sup></td> <td>70</td> <td>95</td> <td>120</td> <td>150</td> <td>185</td> </tr> <tr> <td>Nm</td> <td>12</td> <td>14</td> <td>16</td> <td>17</td> <td>18</td> </tr> </table> <p>Stripping length 23 ... 25 mm max. wire outer diameter 26.5 mm</p>	mm <sup>2</sup>	70	95	120	150	185	Nm	12	14	16	17	18
mm <sup>2</sup>	70	95	120	150	185											
Nm	12	14	16	17	18											

## Features

- Hoods/housings for harsh outdoor environments
- Metal hoods and housings with excellent corrosion resistance
- Corrosion resistance ASTM B117-09 (500 h)
- Excellent EMC characteristics
- Screw locking M6
- Field of application: for external electrical interconnections in vehicles, in highly demanding environments and wet areas, as well as for sensitive interconnections that have to be shielded
- Distinguishing feature: colour-coded black, internal seal

## Technical characteristics


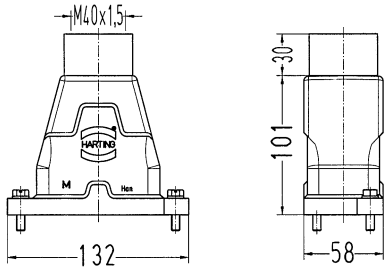

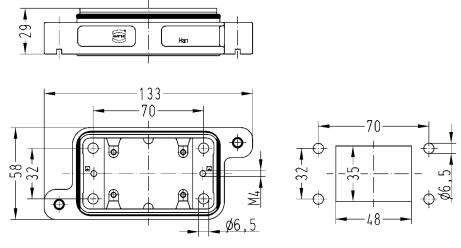

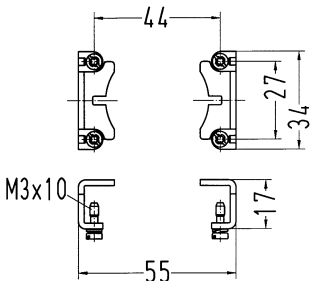
Limiting temperature	-40 ... +125 °C
Tightening torque (screw locking)	4 Nm
Degree of protection acc. to IEC 60529	IP65, IP68, IP69 / IPX9K acc. to ISO 20653
Type rating acc. to UL 50 / UL 50E	4, 4X, 12
Material (hood/housing)	Aluminium die-cast, Corrosion resistant
Surface (hood/housing)	Powder-coated
Colour (hood/housing)	RAL 9005 (jet black)
Material (seal)	NBR
Material (locking)	Stainless steel
Material (accessories)	Metal, Aluminium die-cast
RoHS	compliant with exemption, compliant
RoHS exemptions	<b>6c:</b> Copper alloy containing up to 4 % lead by weight

## Specifications and approvals

UL 1977 ECBT2.E235076  
 CSA-C22.2 No. 182.3 ECBT8.E235076  
 DNV GL

Hoods/housings for harsh outdoor environments  
Screw locking


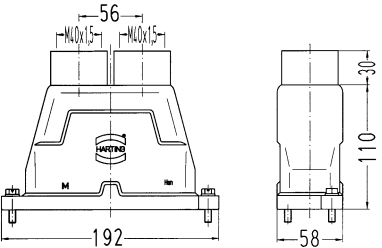

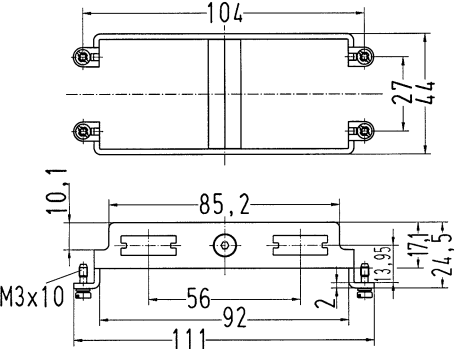
Han  
HC

Identification	Cable entry	Part number	Drawing (dimensions in mm)
<p>Han® HPR, Hoods, With adapter, Top entry</p> 	<p>1x M40</p>	<p>19 40 006 0418</p>	
<p>Han® HPR, Bulkhead mounted housings</p> 		<p>09 40 006 0314</p>	
<p>Han® HPR, Frame, for male inserts, for female inserts, 1x Han® HC Modular 650</p> 		<p>09 11 000 9971</p>	 <p>Tightening torque Fixing screws M3: 0.5 Nm</p>



Hoods/housings for harsh outdoor environments  
Screw locking

Han  
HC

Identification	Cable entry	Part number	Drawing (dimensions in mm)
Han® HPR, Hoods, With adapter, Top entry  	2x M40	19 40 024 0438	
Han® HPR, Frame, for male inserts, for female inserts, 2x Han® HC Modular 650  		09 11 000 9972	 <p>Tightening torque Fixing screws M3: 0.5 Nm Tightening torque M4: 1.5 Nm</p>


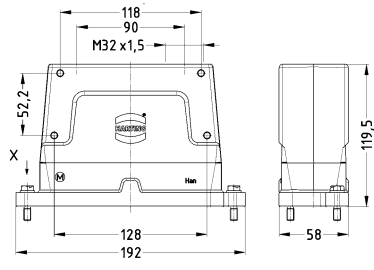



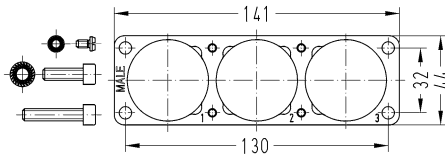
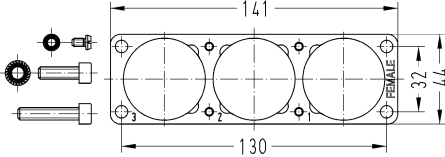
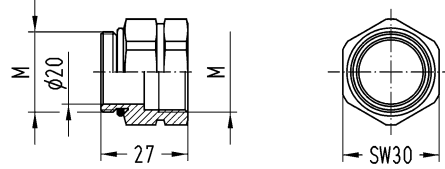
Hoods/housings for harsh outdoor environments  
Screw locking

Han  
HC

Identification	Part number	Drawing (dimensions in mm)
Han® HPR, Bulkhead mounted housings	09 40 024 0311	
Mounting frames, Han® HPR, Thread M6          Han® HPR, Frame, for male inserts, for female inserts, 2x Han® HC Modular 650	09 40 000 9955          09 11 000 9972	<p>Tightening torque Fixing screws M3: 0.5 Nm Tightening torque M4: 1.5 Nm</p>

Hoods/housings for harsh outdoor environments  
Screw locking


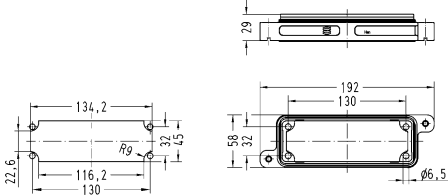

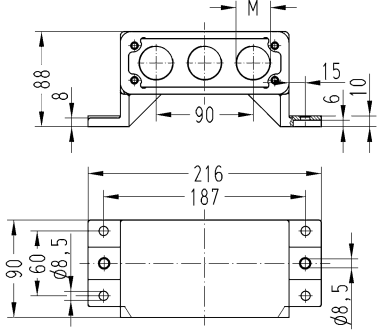


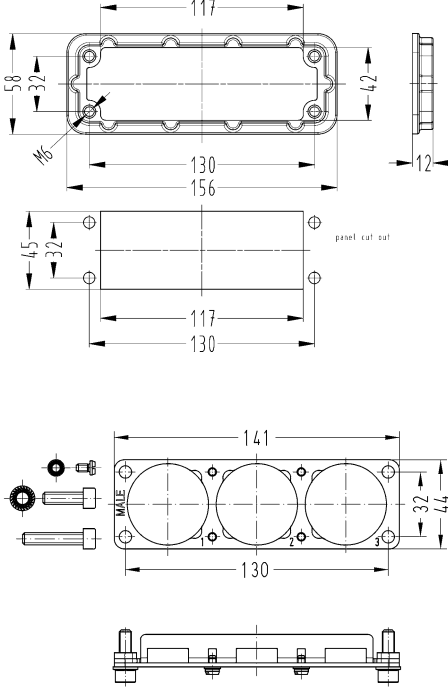
Han  
HC

Identification	Cable entry	Size	Part number	Drawing (dimensions in mm)
<p>Han® HPR, Hoods, Enlarged, Top entry</p> 	3x M32		19 40 024 0468	
<p>Han® HPR enlarged, Frame, for male inserts, 3x Han® HC Modular 650, Pack contents: 4x M4 screw, 4x washer SK S4, 4x washer SK S6, 4x cheese-head screw M6 x 20, 4x cheese-head screw M6 x 25</p>  <p>Han® HPR enlarged, Frame, for female inserts, 3x Han® HC Modular 650, Pack contents: 4x M4 screw, 4x washer SK S4, 4x washer SK S6, 4x cheese-head screw M6 x 20, 4x cheese-head screw M6 x 25</p>  <p>Hexagonal adapter, With O-ring</p>  <p>to reach the electrical data up to 4000 V 18 kV 3</p>		M32	<p>09 11 000 9973</p> <p>09 11 000 9974</p> <p>19 36 000 5135</p>	 <p>Tightening torque Fixing screws M6: 10 Nm Tightening torque Screws M4: 1.5 Nm</p>  <p>Tightening torque Fixing screws M6: 10 Nm Tightening torque Screws M4: 1.5 Nm</p> 


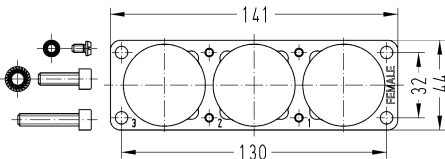

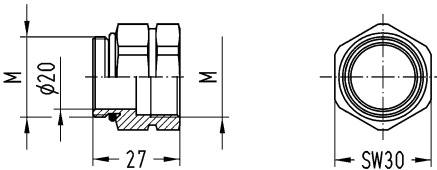


Hoods/housings for harsh outdoor environments  
Screw locking

Han  
HC

Identification	Cable entry	Size	Part number	Drawing (dimensions in mm)
<p>Han® HPR, Bulkhead mounted housings, Enlarged</p> 			09 40 024 0368	
<p>Han® HPR, Surface mounted housing, Horizontal version, Enlarged, Top entry</p>  <p>Bulkhead mounted housing 09 40 024 0368 not included, please order separately</p>	3x M32		19 40 024 0968	
<p>Mounting frames, Han® HPR, Thread M6</p>  <p>Han® HPR enlarged, Frame, for male inserts, 3x Han® HC Modular 650, Pack contents: 4x M4 screw, 4x washer SK S4, 4x washer SK S6, 4x cheese-head screw M6 x 20, 4x cheese-head screw M6 x 25</p> 			<p>09 40 000 9955</p> <p>09 11 000 9973</p>	 <p>Tightening torque Fixing screws M6: 10 Nm Tightening torque Screws M4: 1.5 Nm</p>

Han  
HC

Identification	Cable entry	Size	Part number	Drawing (dimensions in mm)
<p>Han® HPR enlarged, Frame, for female inserts, 3x Han® HC Modular 650, Pack contents: 4x M4 screw, 4x washer SK S4, 4x washer SK S6, 4x cheese-head screw M6 x 20, 4x cheese-head screw M6 x 25</p> 			09 11 000 9974	 <p>Tightening torque Fixing screws M6: 10 Nm Tightening torque Screws M4: 1.5 Nm</p>
<p>Hexagonal adapter, With O-ring</p>  <p>to reach the electrical data up to 4000 V 18 kV 3</p>		M32	19 36 000 5135	

## Features

- Hoods/Housings for higher EMC requirements
- Easy assembly due to split hood and surface mounted housing
- Many assembly possibilities due to separate assembly panels
- External termination of PE termination on hood and surface mounted housing
- Ideal motor/drive connector for transportation sector
- Secure and a visible connection of screening braid of shielded cables
- Devided hood/housing ensures a user-friendly assembly process and simple inspection of the cable and screen connections on the "open system"
- More wiring space in comparison to the standard Han® HPR hoods and housings, ideally suitable for wagon couplings in the railway sector
- Use of standard inserts or Han-Modular® hinged frames
- Compatible with standard Han® HPR bulkhead mounted housings
- Shield connection and/or strain relief possible within the hood/housing

## Technical characteristics

Limiting temperature	-40 ... +125 °C
Tightening torque (screw locking)	4 Nm
Degree of protection acc. to IEC 60529	IP65, IP68, IP69 / IPX9K acc. to ISO 20653
Type rating acc. to UL 50 / UL 50E	4, 4X, 12
Material (hood/housing)	Aluminium die-cast, Corrosion resistant
Surface (hood/housing)	Powder-coated
Colour (hood/housing)	RAL 9005 (jet black)
Material (seal)	NBR
Material (locking)	Stainless steel
Material (accessories)	Stainless steel, Metal, Aluminium die-cast
RoHS	compliant

## Specifications and approvals

UL 1977 ECBT2.E235076  
 CSA-C22.2 No. 182.3 ECBT8.E235076  
 DNV GL


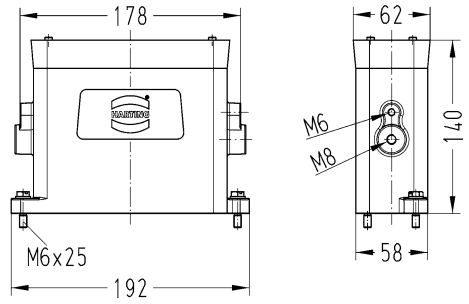

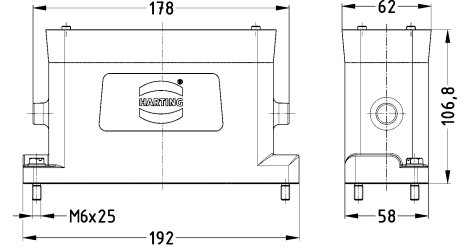

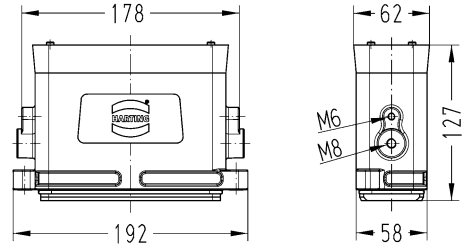
## Details


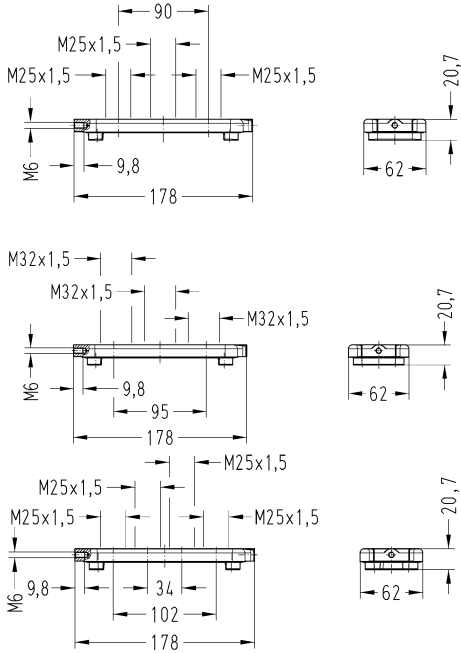


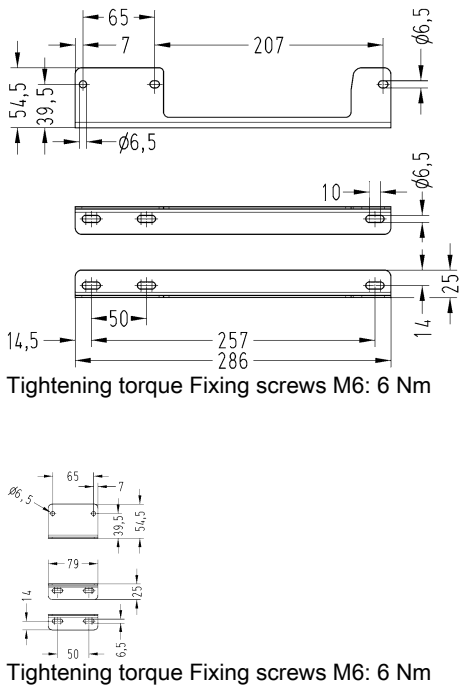
**Insertion / Removal tool** 09 99 000 0334 for shielding clamps  
 see chapter 90

Hoods/housings for harsh outdoor environments  
Screw locking


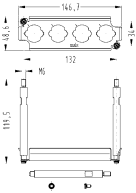

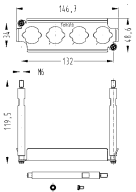

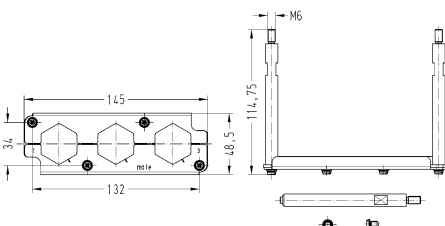

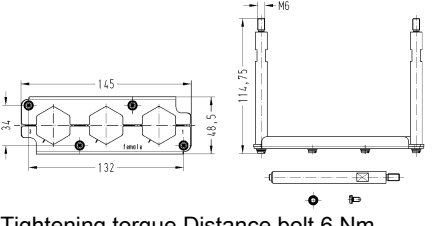

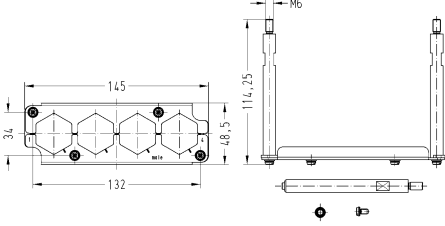
Han  
HC


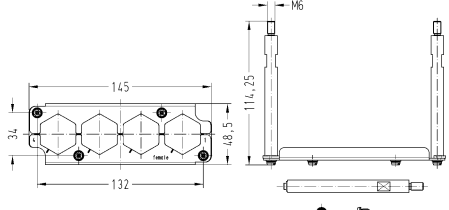

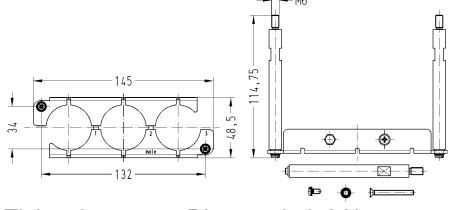

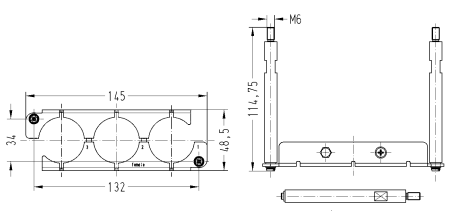

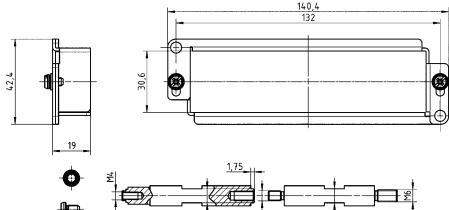


Identification	Cable entry	Part number	Drawing (dimensions in mm)
<p>Han® HPR EasyCon, Hoods</p> 		09 40 024 0451	 <p>Tightening torque Cover locking 6 Nm Tightening torque External PE 15 Nm</p>
<p>Han® HPR EasyCon, Hoods, Low construction</p> 		09 40 024 0454	
<p>Han® HPR EasyCon, Surface mounted housing</p> 		09 40 024 0951	 <p>Tightening torque Cover locking 6 Nm Tightening torque External PE 15 Nm</p>

Identification	Cable entry	Part number	Drawing (dimensions in mm)
<p>Han® HPR EasyCon, Mounting cover, for surface mounted housings, for hoods</p> 	<p>3x M25 3x M32 4x M25</p>	<p>19 40 024 9901 19 40 024 9903 19 40 024 9902</p>	
<p>Han® HPR EasyCon, Mounting panel, Long version, for hoods, for surface mounted housings, Pack contents: 6x M6 screw, 6x washer SK S6</p>  <p>Han® HPR EasyCon, Mounting panel, Short version, for hoods, for surface mounted housings, Pack contents: 4x M6 screw, 4x washer SK S6</p> 		<p>09 40 000 9925</p> <p>09 40 000 9926</p>	 <p>Tightening torque Fixing screws M6: 6 Nm</p> <p>Tightening torque Fixing screws M6: 6 Nm</p>

Han  
HC

Identification	Cable entry	Part number	Drawing (dimensions in mm)
<p>Han® HPR EasyCon, Frame, for male inserts, 4x Han® HC Modular 250, Pack contents: 2x distance bolt (SW 7), 2x M4 screw, 2x washer SK S4</p> 		09 40 024 9903	 <p>Tightening torque Distance bolt 6 Nm Tightening torque Fixing screws M4: 1.5 Nm</p>
<p>Han® HPR EasyCon, Frame, for female inserts, 4x Han® HC Modular 250, Pack contents: 2x distance bolt (SW 7), 2x M4 screw, 2x washer SK S4</p> 		09 40 024 9904	 <p>Tightening torque Distance bolt 6 Nm Tightening torque Fixing screws M4: 1.5 Nm</p>
<p>Han® HPR EasyCon, Frame, for male inserts, 3x Han® HC Modular 350, Pack contents: 2x distance bolt (A/F 7), 4x M4 screw, 4x washer SK S4</p> 		09 40 024 9911	 <p>Tightening torque Distance bolt 6 Nm Tightening torque Fixing screws M4: 1.5 Nm</p>
<p>Han® HPR EasyCon, Frame, for female inserts, 3x Han® HC Modular 350, Pack contents: 2x distance bolt (A/F 7), 4x M4 screw, 4x washer SK S4</p> 		09 40 024 9912	 <p>Tightening torque Distance bolt 6 Nm Tightening torque Fixing screws M4: 1.5 Nm</p>
<p>Han® HPR EasyCon, Frame, for male inserts, 4x Han® HC Modular 350, Pack contents: 2x distance bolt (A/F 7), 4x M4 screw, 4x washer SK S4, 4x heat shrink tube</p> 		09 40 024 9913	 <p>Tightening torque Distance bolt 6 Nm Tightening torque Fixing screws M4: 1.5 Nm</p>

Identification	Cable entry	Part number	Drawing (dimensions in mm)
<p>Han® HPR EasyCon, Frame, for female inserts, 4x Han® HC Modular 350, Pack contents: 2x distance bolt (A/F 7), 4x M4 screw, 4x washer SK S4, 4x heat shrink tube</p> 		09 40 024 9914	 <p>Tightening torque Distance bolt 6 Nm Tightening torque Fixing screws M4: 1.5 Nm</p>
<p>Han® HPR EasyCon, Frame, for male inserts, 3x Han® HC Modular 650, Pack contents: 2x distance bolt (A/F 7), 2x M4 screw, 2x washer SK S4, 2x M4 countersunk screw</p> 		09 40 024 9921	 <p>Tightening torque Distance bolt 6 Nm Tightening torque Fixing screws M4: 1.5 Nm Tightening torque M4: 1.5 Nm</p>
<p>Han® HPR EasyCon, Frame, for female inserts, 3x Han® HC Modular 650, Pack contents: 2x distance bolt (A/F 7), 2x M4 screw, 2x washer SK S4, 2x M4 countersunk screw</p> 		09 40 024 9922	 <p>Tightening torque Distance bolt 6 Nm Tightening torque Fixing screws M4: 1.5 Nm Tightening torque M4: 1.5 Nm</p>
<p>Han® HPR EasyCon, Frame, for up to 8 single modules, A ... H, Pack contents: 2x M4/M5 distance bolts (A/F 7), 2x M5/M6 distance bolts (A/F 7), 4x M4 screw, 4x washer SK S4</p> 		09 40 024 9931	 <p>Tightening torque Distance bolt 6 Nm Tightening torque Fixing screws M4: 1.5 Nm Tightening torque M4: 1.5 Nm</p>

Han  
HC

Identification

Cable entry

Part number

Drawing  
(dimensions in mm)

Han® HPR EasyCon,  
Frame,  
for up to 8 single modules,  
a ... h,

Pack contents:

2x M4/M5 distance bolts (A/F 7),

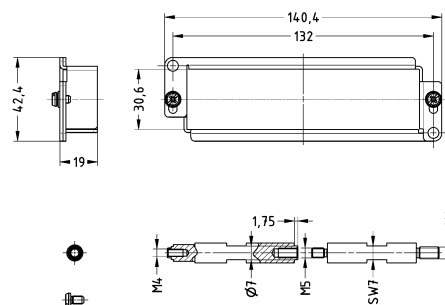
2x M5/M6 distance bolts (A/F 7),

4x M4 screw,

4x washer SK S4



09 40 024 9932


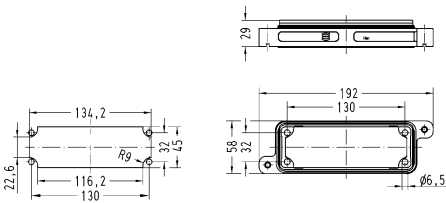

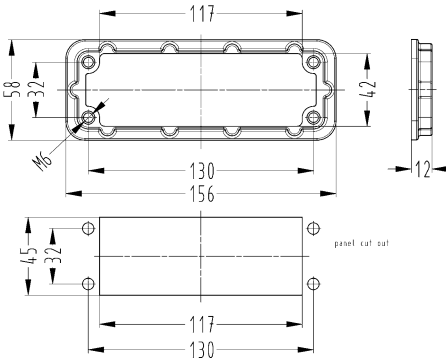

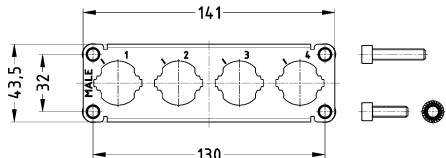

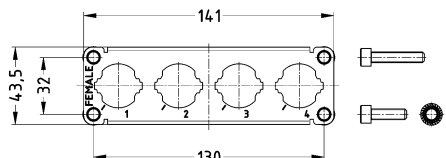


Tightening torque Distance bolt 6 Nm  
Tightening torque Fixing screws M4: 1.5 Nm  
Tightening torque M4: 1.5 Nm



Hoods/housings for harsh outdoor environments  
Screw locking

Han  
HC

Identification	Part number	Drawing (dimensions in mm)
<p>Han® HPR, Bulkhead mounted housings, Enlarged</p> 	<p>09 40 024 0368</p>	
<p>Mounting frames, Han® HPR, Thread M6</p> 	<p>09 40 000 9955</p>	
<p>Han® HPR enlarged, Frame, for male inserts, 4x Han® HC Modular 250, Pack contents: 4x cheese-head screw M6 x 20, 4x cheese-head screw M6 x 25, 4x washer SK S6</p> 	<p>09 11 000 9927</p>	 <p>Tightening torque Fixing screws M6: 10 Nm</p>
<p>Han® HPR enlarged, Frame, for female inserts, 4x Han® HC Modular 250, Pack contents: 4x cheese-head screw M6 x 20, 4x cheese-head screw M6 x 25, 4x washer SK S6</p> 	<p>09 11 000 9928</p>	 <p>Tightening torque Fixing screws M6: 10 Nm</p>

Han  
HC

Identification

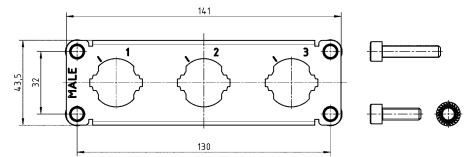
Part number

Drawing  
(dimensions in mm)

Han® HPR enlarged,  
Frame,  
for male inserts,  
3x Han® HC Modular 250,  
Pack contents:  
4x cheese-head screw M6 x 20,  
4x cheese-head screw M6 x 25,  
4x washer SK S6



09 11 000 9931

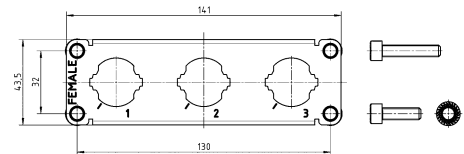


Tightening torque Fixing screw M6: 10 Nm

Han® HPR enlarged,  
Frame,  
for female inserts,  
3x Han® HC Modular 250,  
Pack contents:  
4x cheese-head screw M6 x 20,  
4x cheese-head screw M6 x 25,  
4x washer SK S6



09 11 000 9932

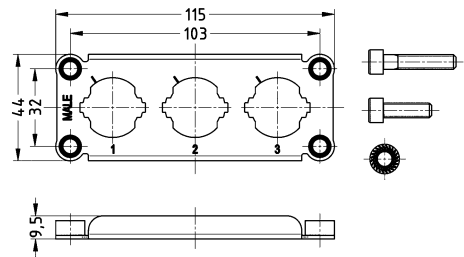


Tightening torque Fixing screw M6: 10 Nm

Han® HPR enlarged,  
Frame,  
for male inserts,  
3x Han® HC Modular 250,  
Pack contents:  
4x cheese-head screw M6 x 20,  
4x cheese-head screw M6 x 30,  
4x washer SK S6



09 11 000 9943



Han® HPR enlarged,  
Frame,  
for female inserts,  
3x Han® HC Modular 250,  
Pack contents:  
4x cheese-head screw M6 x 20,  
4x cheese-head screw M6 x 30,  
4x washer SK S6

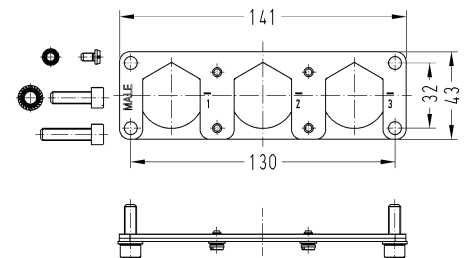


09 11 000 9944


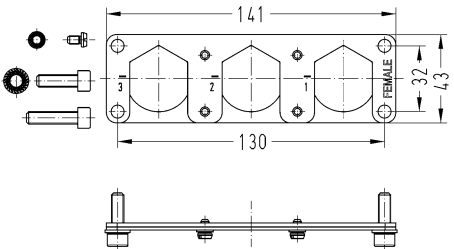

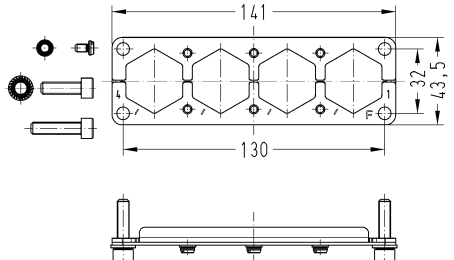

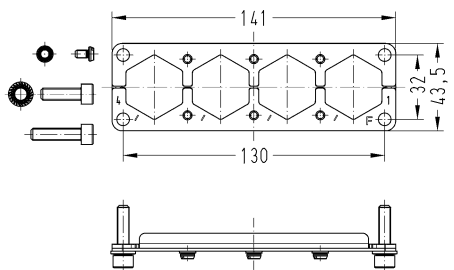

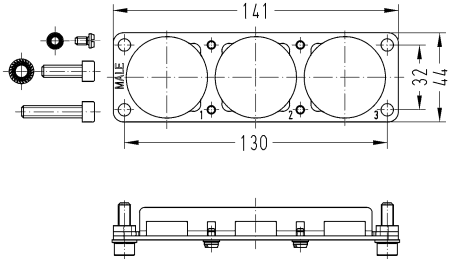
Han® HPR enlarged,  
Frame,  
for male inserts,  
3x Han® HC Modular 350,  
Pack contents:  
4x M4 screw,  
4x washer SK S4,  
4x washer SK S6,  
4x cheese-head screw M6 x 20,  
4x cheese-head screw M6 x 25




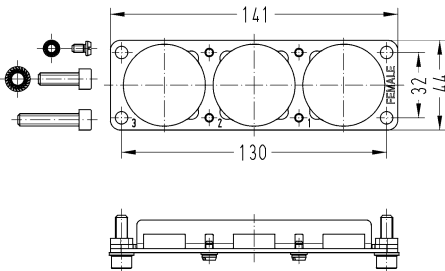

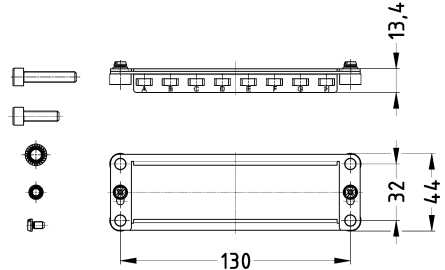

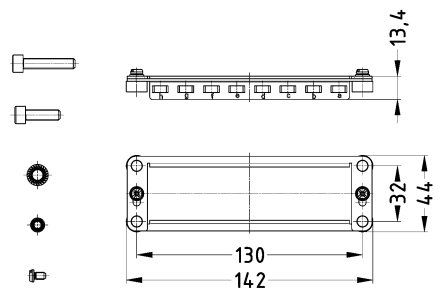
09 11 000 9957



Tightening torque Fixing screws M6: 10 Nm  
Tightening torque Screws M4: 1.5 Nm

Identification	Part number	Drawing (dimensions in mm)
<p>Han® HPR enlarged, Frame, for female inserts, 3x Han® HC Modular 350, Pack contents: 4x M4 screw, 4x washer SK S4, 4x washer SK S6, 4x cheese-head screw M6 x 20, 4x cheese-head screw M6 x 25</p> 	<p>09 11 000 9958</p>	 <p>Tightening torque Fixing screws M6: 10 Nm Tightening torque Screws M4: 1.5 Nm</p>
<p>Han® HPR enlarged, Frame, for male inserts, 4x Han® HC Modular 350, Pack contents: 4x M4 screw, 4x washer SK S4, 4x washer SK S6, 4x cheese-head screw M6 x 20, 4x cheese-head screw M6 x 25, 4x heat shrink tube</p> 	<p>09 11 000 9964</p>	 <p>Tightening torque Fixing screws M6: 10 Nm Tightening torque Screws M4: 1.5 Nm</p>
<p>Han® HPR enlarged, Frame, for female inserts, 4x Han® HC Modular 350, Pack contents: 4x M4 screw, 4x washer SK S4, 4x washer SK S6, 4x cheese-head screw M6 x 20, 4x cheese-head screw M6 x 25, 4x heat shrink tube</p> 	<p>09 11 000 9965</p>	 <p>Tightening torque Fixing screws M6: 10 Nm Tightening torque Screws M4: 1.5 Nm</p>
<p>Han® HPR enlarged, Frame, for male inserts, 3x Han® HC Modular 650, Pack contents: 4x M4 screw, 4x washer SK S4, 4x washer SK S6, 4x cheese-head screw M6 x 20, 4x cheese-head screw M6 x 25</p> 	<p>09 11 000 9973</p>	 <p>Tightening torque Fixing screws M6: 10 Nm Tightening torque Screws M4: 1.5 Nm</p>

Han  
HC

Identification	Part number	Drawing (dimensions in mm)
<p>Han® HPR enlarged, Frame, for female inserts, 3x Han® HC Modular 650,</p> <p>Pack contents: 4x M4 screw, 4x washer SK S4, 4x washer SK S6, 4x cheese-head screw M6 x 20, 4x cheese-head screw M6 x 25</p> 	<p>09 11 000 9974</p>	 <p>Tightening torque Fixing screws M6: 10 Nm Tightening torque Screws M4: 1.5 Nm</p>
<p>Han® HPR enlarged, Frame, for up to 8 single modules, A ... H,</p> <p>Pack contents: 2x M4 screw, 2x washer SK S4, 4x cheese-head screw M6 x 20, 4x cheese-head screw M6 x 30, 4x washer SK S6</p> 	<p>09 11 000 9935</p>	 <p>Tightening torque Fixing screws M6: 10 Nm Tightening torque Screws M4: 1.5 Nm</p>
<p>Han® HPR enlarged, Frame, for up to 8 single modules, a ... h,</p> <p>Pack contents: 2x M4 screw, 2x washer SK S4, 4x cheese-head screw M6 x 20, 4x cheese-head screw M6 x 30, 4x washer SK S6</p> 	<p>09 11 000 9936</p>	 <p>Tightening torque Fixing screws M6: 10 Nm Tightening torque Screws M4: 1.5 Nm</p>

## Features

- Secure and a visible connection of screening braid of shielded cables

## Technical characteristics

Material (seal)	EPDM
Material (cable glands)	Brass, nickel plated
Material (clamping ring)	Polyamide
RoHS	compliant with exemption, compliant
RoHS exemptions	<b>6c:</b> Copper alloy containing up to 4 % lead by weight

Identification	Size	Clamping range (mm)	Part number	Drawing (dimensions in mm)
Han® HPR EasyCon, Cable gland, EMC version, 10 Nm	M25	9 ... 17	19 00 000 5013	
	M25	13 ... 21	19 00 000 5019	
Han® HPR EasyCon, Cable gland, EMC version, 20 Nm	M32	13 ... 21	19 00 000 5014	
	M32	16 ... 28	19 00 000 5022	
	M32	17 ... 22.5	19 00 000 5015	

## Features

- Hoods/housings for harsh outdoor environments
- Metal hoods and housings with excellent corrosion resistance
- Corrosion resistance ASTM B117-09 (500 h)
- Excellent EMC characteristics
- Vibration resistant acc. to IEC 61373 category 1B (Category 2 possible with usage of M6 distance bolts)

## Technical characteristics


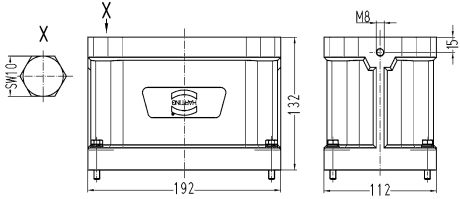

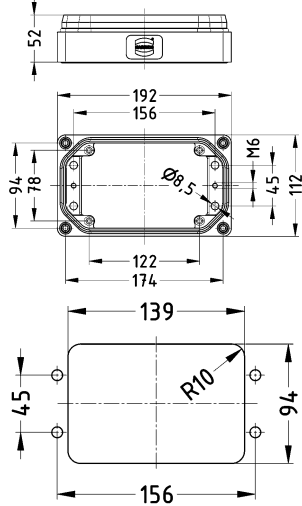

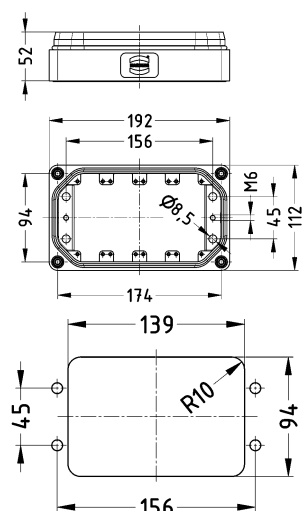
Limiting temperature	-40 ... +125 °C
Tightening torque (screw locking)	4 Nm
Degree of protection acc. to IEC 60529	IP65, IP68, IP69 / IPX9K acc. to ISO 20653
Material (hood/housing)	Aluminium die-cast, Corrosion resistant
Surface (hood/housing)	Powder-coated
Colour (hood/housing)	RAL 9005 (jet black)
Material (seal)	NBR
Material (locking)	Stainless steel
Material (accessories)	Aluminium, Metal
RoHS	compliant

## Specifications and approvals


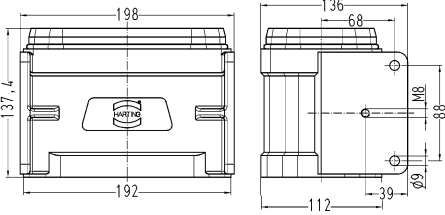

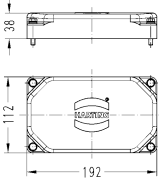

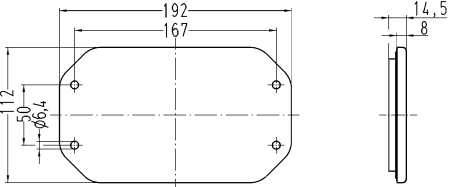

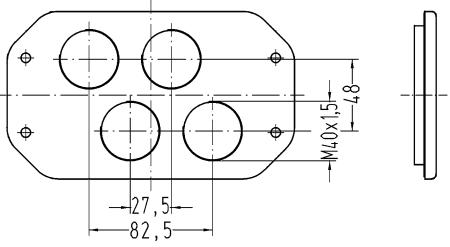

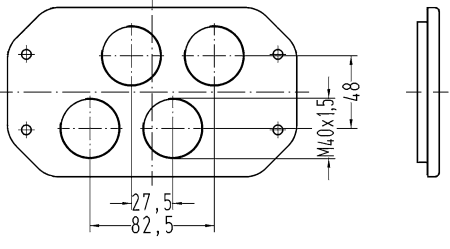

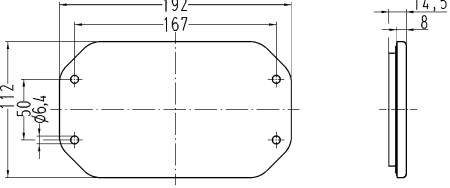
DNV GL

Hoods/housings for harsh outdoor environments  
Screw locking

Han  
HC

Identification	Cable entry	Part number	Drawing (dimensions in mm)
Han® HPR, Hoods, Top entry  		09 40 048 0451	
Han® HPR, Bulkhead mounted housings  		09 40 048 0311	 <p>Panel cut out</p>
Han® HPR, Bulkhead mounted housings, for 4 standard inserts - size 16 B  		09 40 048 0331	 <p>Panel cut out</p>


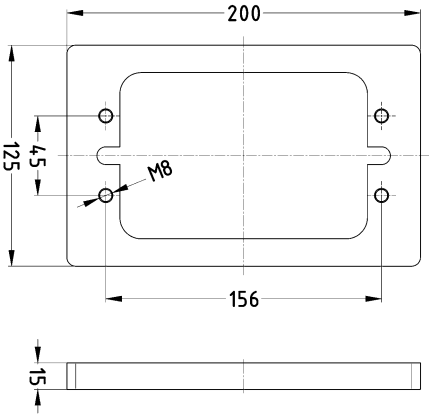
Han  
HC

Identification	Cable entry	Part number	Drawing (dimensions in mm)
<p>Han® HPR, Surface mounted housing, Horizontal version, Top entry</p> 		09 40 048 0951	
<p>Han® HPR, Protection cover, for bulkhead mounted housings, for surface mounted housings</p> 		09 40 048 5401	
<p>Han® HPR, Mounting cover, Distance bolt M5, Pack contents: 4 distance pieces, 4x M6 screw, 4 washers</p> 		09 40 048 9803	 <p>Basic size for above mentioned covers</p>
<p>Han® HPR, Mounting cover, Distance bolt M5, for male inserts, Pack contents: 4 distance pieces, 4x M6 screw, 4 washers</p> 	4x M40	19 40 048 9801	
<p>Han® HPR, Mounting cover, Distance bolt M5, for female inserts, Pack contents: 4 distance pieces, 4x M6 screw, 4 washers</p> 	4x M40	19 40 048 9901	
<p>Han® HPR, Mounting cover, Distance bolt M6, Without cable entry, Pack contents: 4 distance pieces, 4x M6 screw, 4 washers</p> 		09 40 048 9801	



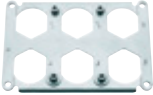
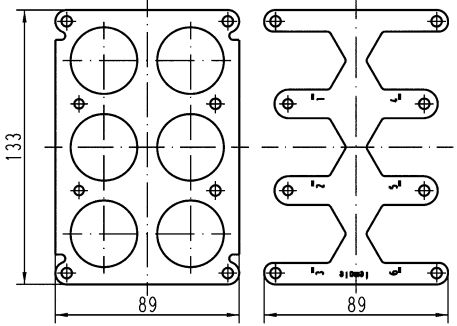

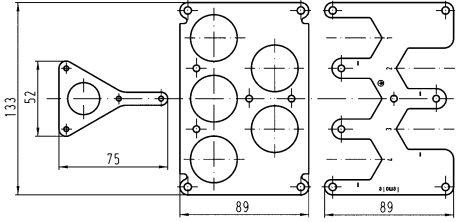

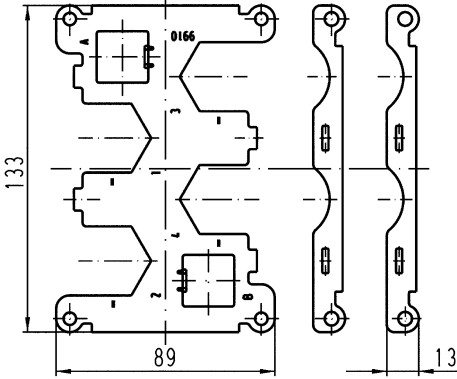

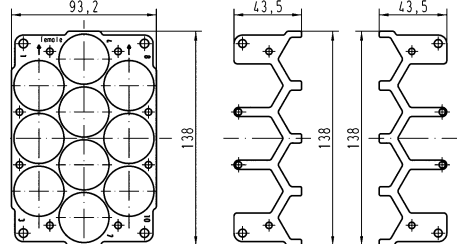
Identification	Cable entry	Part number	Drawing (dimensions in mm)
<p>Han® HPR, Mounting cover, Distance bolt M6, 5 cable entries, Pack contents: 4 distance pieces, 4x M6 screw, 4 washers</p>	<p>5x M32</p>	<p>19 40 048 9812</p>	
<p>Han® HPR, Mounting cover, Distance bolt M6, 6 cable entries, Pack contents: 4 distance pieces, 4x M6 screw, 4 washers</p>	<p>6x M25 6x M32</p>	<p>19 40 048 9820 19 40 048 9822</p>	
<p>Han® HPR, Mounting cover, Distance bolt M6, 10 cable entries, Pack contents: 4 distance pieces, 4x M6 screw, 4 washers</p>	<p>10x M25</p>	<p>19 40 048 9860</p>	


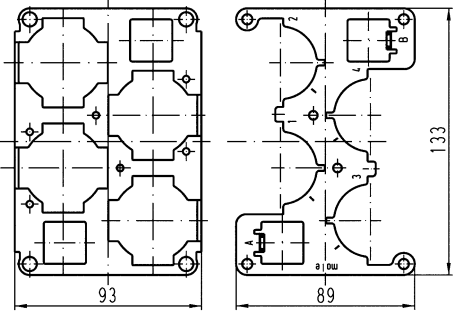

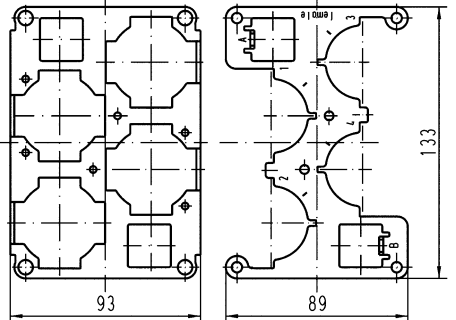

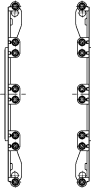
Han  
HC

Identification	Cable entry	Part number	Drawing (dimensions in mm)
<p>Mounting frames, Han® HPR, Thread M8</p> 		<p>09 40 000 9965</p>	

Identification	Part number		Drawing (dimensions in mm)
	Male	Female	
Han® HPR, Frame, for male inserts, 6x Han® HC Modular 350	09 40 048 9806		
Han® HPR, Frame, for male inserts, 5x Han® HC Modular 350 + 1x Han® HC Modu- lar 350 PE	09 40 048 9809		
Han® HPR, Frame, for male inserts, 4x HC 350 contacts + 2x Han® Q 5/0	09 40 048 9810		
Han® HPR, Frame, for male inserts, 10x Han® HC Modular 350	09 40 048 9860		

Han  
HC

Identification	Part number		Drawing (dimensions in mm)
	Male	Female	
<p>Han® HPR, Frame, for female inserts, 6x Han® HC Modular 350</p> 		09 40 048 9906	
<p>Han® HPR, Frame, for female inserts, 5x Han® HC Modular 350 + 1x Han® HC Modu- lar 350 PE</p> 		09 40 048 9909	
<p>Han® HPR, Frame, for female inserts, 4x HC 350 contacts + 2x Han® Q 5/0</p> 		09 40 048 9910	
<p>Han® HPR, Frame, for female inserts, 10x Han® HC Modular 350</p> 		09 40 048 9960	

Identification	Part number		Drawing (dimensions in mm)
	Male	Female	
<p>Han® HPR, Frame, for male inserts, 4x HC 650 contacts + 2x Han® Q 5/0</p> 	09 40 048 9811		
<p>Han® HPR, Frame, for female inserts, 4x HC 650 contacts + 2x Han® Q 5/0</p> 		09 40 048 9911	
<p>Han® HPR, Frame, for 4 standard inserts - size 16 B</p>  <p>Suitable for hoods and surface mounted housings in conjunction with cover 09 40 048 9803/19 40 048 9801/19 40 048 9901 only</p>	09 40 048 9912	09 40 048 9912	

## Innovative High Current Connectors for Power Transmission on Trains



Photo courtesy: Stadtwerke München, Munich

The Split hood and housing "open system" of the Han® 24HPR EasyCon with the innovative concept for shielded cables is an excellent solution for the versatile power requirements and the rapid moving operational cycle on Trains.

In use are the approved Han® HC Modular 350A and 650A Crimp-Contacts.

